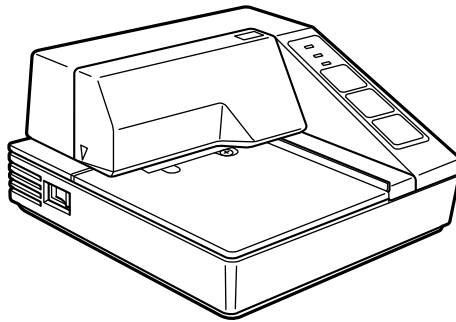
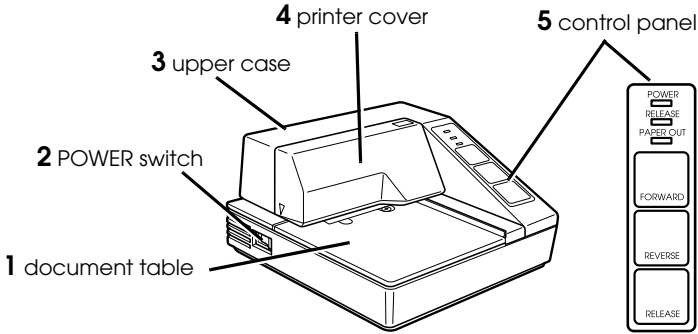


# TM-U295/U295P

User's Manual / Bedienungsanleitung  
Gebruikershandleiding / Manuel d'utilisation  
Manual do utilizador / Manual del usuario  
Manuale dell'utente / 使用说明书 / 使用説明書



# Printer Parts



# DIP Switch Tables

## Serial interface

| SW   | Function  | ON       | OFF        |
|------|---|----------|------------|
| 1    | Data receive error  | Ignored  | Prints "?" |
| 2    | Receive buffer  | 35 bytes | 512 bytes  |
| 3    | Handshaking   | XON/XOFF | DTR/DSR    |
| 4    | Data word length  | 7 bits   | 8 bits     |
| 5    | Parity check  | Yes      | No         |
| 6    | Parity selection  | Even     | Odd        |
| 7, 8 | Transmission speed<br>(See <i>Serial transmission speed</i> table.) |          |            |
| 9    | Pin 6 reset   | Used     | Not used   |
| 10   | Pin 25 reset  | Used     | Not used   |

## Serial transmission speed

| 8   | 7   | Transmission speed |
|-----|-----|--------------------|
| ON  | ON  | 1200 bps           |
| ON  | OFF | 2400 bps           |
| OFF | ON  | 4800 bps           |
| OFF | OFF | 9600 bps           |

## Parallel interface

| SW  | Function       | ON          | OFF       |
|-----|----------------|-------------|-----------|
| 1   | Auto line feed | Enabled     | Disabled  |
| 2   | Receive buffer | 35 bytes    | 512 bytes |
| 3-9 | Undefined      | —           | —         |
| 10  | Internal use   | Fixed to ON |           |

# TM-U295/U295P Specifications

|                                      |  |
|--------------------------------------|--|
| <b>Printing method</b>               | Impact dot matrix, 7-pin shuttle type  |
| <b>Printing direction</b>            | Unidirectional   |
| <b>Characters per line (default)</b> | 5 × 7 font: 35; 7 × 7 font: 42   |
| <b>Character matrix</b>              | 5 × 7 with 1-dot spacing (normal dots)<br>7 × 7 with 3-dot spacing (half dots)                     |
| <b>Character size</b>                | 5 × 7 font: 1.6 × 2.9 mm {0.063 × 0.114"}<br>7 × 7 font: 1.3 × 2.9 mm {0.051 × 0.114"}             |
| <b>Number of characters</b>          | Alphanumeric characters: 95; International characters: 32<br>Extended graphics: 128 × 4            |
| <b>Print speed</b>                   | 1.9 to 2.3/lines/sec. (both 5 × 7 and 7 × 7 fonts)   |
| <b>Paper feed speed</b>              | Approx. 12.5 lines/second (52.9 mm/second {2.1"/second})   |
| <b>Line spacing (default)</b>        | 4.23 mm {1/6"}   |
| <b>Paper types</b>                   | Normal, pressure-sensitive, and carbon-copy  |
| <b>Paper size</b>                    | 80 × 69 mm {3.15 × 2.72"} (W × L) to 182 × 257 mm {7.17 × 10.12"} (W × L)                          |
| <b>Total thickness</b>               | Single-ply: 0.09 to 0.25 mm {0.0035 to 0.0098"}<br>Copy paper: 0.09 to 0.35 mm {0.0035 to 0.0138"} |

|                                     |  |   |
|-------------------------------------|--|---|
| <b>Number of copies</b>             | Original + 1 or 2 copies at 5 to 40°C (41 to 104°F)    |   |
| <b>Ribbon cassette</b>              | ERC-27   |   |
| <b>Interface (compatible)</b>       | RS-232 serial or IEEE 1284 parallel                    |   |
| <b>Receive buffer</b>               | 512 bytes or 35 bytes                                  |   |
| <b>DKD Function</b>                 | 2 drives   |   |
| <b>Power supply*1</b>               | + 24 VDC ± 10%   |   |
| <b>Current consumption (at 24V)</b> | Operating:   | Mean: Approx. 600 mA    Peak: Approx. 5.5 A           |
|                                     | Standby:   | Approx 100 mA   |
| <b>Life</b>                         | Mechanism:   | 3,000,000 lines                                       |
|                                     | Print head:  | 150 million characters (at 2 dots/wire per character) |
|                                     | Ribbon:  | 1.5 million characters (using a 5 × 7 font)           |
| <b>MTBF</b>                         | 180,000 hours  |   |
| <b>MCBF</b>                         | 7,000,000 lines  |   |
| <b>Temperature</b>                  | Operating:   | 5 to 40°C (41 to 104°F)                               |
|                                     | Storage:   | -10 to 50°C (-14 to 122°F), except ribbon and paper   |
| <b>Humidity</b>                     | Operating:   | 30 to 85% RH  |
|                                     | Storage:   | 30 to 90% RH, except ribbon and paper                 |
| <b>Overall dimensions</b>           | 101.5 × 180 × 190.5 mm {4.0 × 7.09 × 7.5"} (H × W × D) |   |
| <b>Weight (mass)</b>                | Approximately 1.6 kg {3.52 lb}                         |   |

\*1: Be sure to use a safety-standards-applied power source that meets the following specifications.  
Rated output: 24 V/2.0 A or more, Maximum output: 240 VA or less

## Standards and Approvals

The following standards are applied only to the printers that are so labeled. (EMC is tested using the Epson power supplies.)

Europe: CE marking  
North America: FCC/ICES-003 Class A  
Oceania: AS/NZS CISPR Class A

### WARNING

This is a Class A product. In a domestic environment this product may cause radio interference in which case the user may be required to take adequate measures.

The connection of a non-shielded printer interface cable to this printer will invalidate the EMC standards of this device. You are cautioned that changes or modifications not expressly approved by Seiko Epson Corporation could void your authority to operate the equipment.

### CE Marking

The printer conforms to the following Directives and Norms:

Directive 2004/108/EC  
EN 55022 Class A  
EN 55024  
IEC 61000-4-2    IEC 61000-4-5  
IEC 61000-4-3    IEC 61000-4-6  
IEC 61000-4-4    IEC 61000-4-11

Directive 90/384/EECEN 45501

### FCC Compliance Statement For American Users

This equipment has been tested and found to comply with the limits for a Class A digital device, pursuant to Part 15 of the FCC Rules. These limits are designed to

provide reasonable protection against harmful interference when the equipment is operated in a commercial environment.

This equipment generates, uses, and can radiate radio frequency energy and, if not installed and used in accordance with the instruction manual, may cause harmful interference to radio communications.

Operation of this equipment in a residential area is likely to cause harmful interference, in which case the user will be required to correct the interference at his own expense.

### For Canadian Users

This Class A digital apparatus complies with Canadian ICES-003.

### À l'intention des utilisateurs canadiens

Cet appareil numérique de la classe A est conforme à la norme NMB-003 du Canada.

### Indication of the manufacturer and the importer in accordance with requirements of directive 2011/65/EU (RoHS)

Manufacturer: SEIKO EPSON CORPORATION  
Address: 3-5, Owa 3-chome, Suwa-shi, Nagano-ken 392-8502, Japan  
Telephone: 81-266-52-3131 Fax: 81-266-52-8409

Importer: EPSON EUROPE B.V.  
Address: Azie building, Atlas ArenA, Hoogoorddreef 5, 1101 BA Amsterdam Zuuidoost, The Netherlands  
Telephone: 31-20-314-5000

All rights reserved. No part of this publication may be reproduced, stored in a retrieval system, or transmitted in any form or by any means, electronic, mechanical, photocopying, recording, or otherwise, without the prior written permission of Seiko Epson Corporation. No patent liability is assumed with respect to the use of the information contained herein. While every precaution has been taken in the preparation of this book, Seiko Epson Corporation assumes no responsibility for errors or omissions. Neither is any liability assumed for damages resulting from the use of the information contained herein.

Neither Seiko Epson Corporation nor its affiliates shall be liable to the purchaser of this product or third parties for damages, losses, costs, or expenses incurred by purchaser or third parties as a result of: accident, misuse, or abuse of this product or unauthorized modifications, repairs, or alterations to this product, or (excluding the U.S.) failure to strictly comply with Seiko Epson Corporation's operating and maintenance instructions.

Seiko Epson Corporation shall not be liable against any damages or problems arising from the use of any options or any consumable products other than those designated as Original Epson Products or Epson Approved Products by Seiko Epson Corporation.

Depending on the area, the interface cable may be included with the product. If so, use that cable.

Seiko Epson Corporation shall not be held liable for any damage resulting from electromagnetic interference that occurs from the use of any interface cables other than those designated as Epson approved products.

EPSON is a registered trademark of Seiko Epson Corporation in Japan and other countries/regions.

**NOTICE:** The contents of this manual are subject to change without notice.

Copyright © 2004 by Seiko Epson Corporation, Nagano, Japan.

---

## **Safety Precautions**

This section presents important information intended to ensure safe and effective use of this product. Please read this section carefully and store it in an accessible location.



### **WARNING:**

*Shut down your equipment immediately if it produces smoke, a strange odor, or unusual noise. Continued use may lead to fire. Immediately unplug the equipment and contact your dealer or a Seiko Epson service center for advice.*

*Never attempt to repair this product yourself. Improper repair work can be dangerous.*

*Never disassemble or modify this product. Tampering with this product may result in injury or fire.*

*Be sure to use the specified power source. Connection to an improper power source may cause fire.*

*Do not allow foreign matter to fall into the equipment. Penetration by foreign objects may lead to fire.*

*If water or other liquid spills into this equipment, unplug the power cord immediately, and then contact your dealer or a Seiko Epson service center for advice. Continued usage may lead to fire.*

*Do not use aerosol sprayers containing flammable gas inside or around this product. Doing so may cause fire.*



### **CAUTION:**

*Do not connect cables in ways other than those mentioned in this manual. Different connections may cause equipment damage and burning.*

*Be sure to set this equipment on a firm, stable, horizontal surface. The product may break or cause injury if it falls.*

*Do not use in locations subject to high humidity or dust levels. Excessive humidity and dust may cause equipment damage or fire.*  
*Do not place heavy objects on top of this product. Never stand or lean on this product. Equipment may fall or collapse, causing breakage and possible injury.*  
*To ensure safety, unplug this product before leaving it unused for an extended period.*

---

## **Safety Label**

The caution label on the product indicates the following precaution.



### **WARNING:**

*Do not connect a telephone line to the drawer kick-out connector; otherwise, the printer and the telephone line may be damaged.*

---

## **Restriction of Use**

When this product is used for applications requiring high reliability/safety, such as transportation devices related to aviation, rail, marine, automotive, etc.; disaster prevention devices; various safety devices, etc.; or functional/precision devices, etc.; you should use this product only after giving consideration to including fail-safes and redundancies into your design to maintain safety and total system reliability. Because this product was not intended for use in applications requiring extremely high reliability/safety, such as aerospace equipment, main communication equipment, nuclear power control equipment, or medical equipment related to direct medical care, etc., please make your own judgment on this product's suitability after a full evaluation.

---

## **Downloading Drivers, Utilities, and Manuals**

Drivers, utilities, and manuals can be downloaded from one of the following URLs.

For customers in North America, go to the following web site:  
<http://www.Epsonexpert.com/> and follow the on-screen instructions.

For customers in other countries, go to the following web site:  
<http://download.epson-biz.com/?service=pos>

---

## **Unpacking**

The following items are included with the standard specification printer. If any item is damaged, contact your dealer.

- Printer
- Damper
- Ribbon cassette
- User's Manual (this manual)

## Control Panel

### RELEASE button

Press this button to insert or remove paper.

### REVERSE button

Feeds paper backward.

### FORWARD button

Feeds paper forward.

### POWER LED

ON when the printer is on.

### RELEASE LED

ON when the printer is in release mode (to insert or remove paper).

OFF when the printer is in clamp mode (to hold paper).

FLASHES to indicate an error.

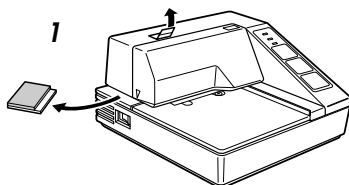
### PAPER OUT LED

ON when paper is not inserted or is not inserted correctly.

## Removing the Transportation Damper

The printer is protected during shipping by a transportation damper that you must remove before you turn on the printer.

Pull the damper out and remove the strip of tape from the top of the printer, as shown in illustration 1.



### Note:

*Prepare the printer to ship or store with these steps: turn on the printer, press the RELEASE button, press the FORWARD button, turn off the printer, and reinstall the transportation damper.*

## Installing a Ribbon

Use the Epson ERC-27 ribbon cassette. The use of any ribbon cassettes other than those approved by Epson may damage the printer and will void the warranty.

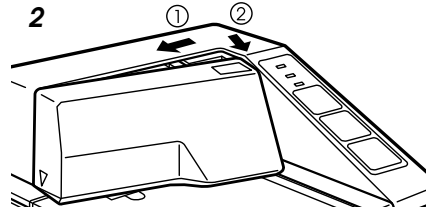
1. Turn the printer on using the power switch on the left side.
2. Press the RELEASE button (the RELEASE LED lights). This puts the printer in the paper release mode.
3. Turn the printer off.



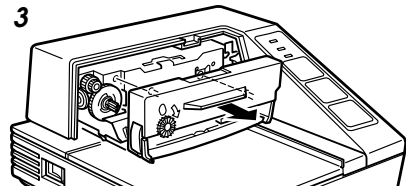
### CAUTION:

*Perform the steps above to make sure the printer is in the paper release mode before you install or remove a ribbon cassette.*

4. Open the printer cover by first pressing the ridges on the top to the left slightly and then pulling the cover forward, as shown in illustration 2.

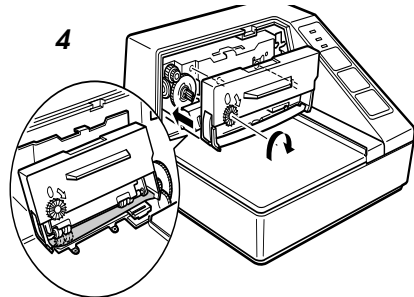


5. If there is a used ribbon, remove it by grasping the handle and pull it straight out, as shown by the arrow in illustration 3.



6. Before installing the new ribbon, check that it is not creased or twisted. Then turn the feed knob in the direction of the arrow on the ribbon cassette to take up any slack in the ribbon.

7. Carefully insert the ribbon cassette in the printer as shown in illustration 4. Notice exactly where the ribbon must go.
8. Push firmly on the right side and then the left side of the ribbon cartridge until each side clicks into place.
9. To put the cover back on the printer, first align the left side of the cover; then insert the tab on the top; then press the bottom until it clicks into place (see illustration 2).



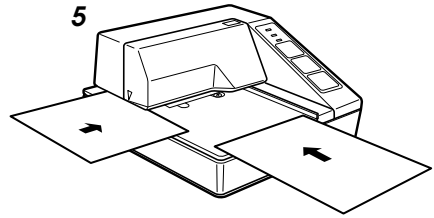
## Inserting Paper

### Note:

Do not use wrinkled or curled paper. Be sure to use roll paper that meets the specifications.

1. Make sure a ribbon cassette is installed in the printer.
2. Turn on the printer. The POWER light comes on.
3. Press the RELEASE button. The RELEASE light comes on to show that the printer is in release mode. In this mode, paper can be inserted and removed.

4. Insert the paper from either the front or the side, as shown in illustration **5**, until the form stopper stops it. Use the markings on the side of the printer to judge how far to insert paper.
5. Check the PAPER OUT light. When you insert the paper correctly, the PAPER OUT light goes out. If the PAPER OUT light is still on, remove the paper and reinsert it.



---

## ***Troubleshooting***

---

### **No lights on the control panel**

---

Check that power supply cables are plugged into the printer correctly, the power unit, and power outlet.

Make sure power is supplied to the power outlet. If the outlet is controlled by a switch or timer, use another outlet.

---

### **The PAPER OUT light is on, and nothing is printing**

---

Paper is not inserted or is not inserted correctly.

---

### **The RELEASE light is flashing, and nothing is printed**

---

Indicates an error. Turn off the printer, be sure no paper is jammed, and turn it back on. If the RELEASE light still flashes, contact a qualified service person.



# TM-U295/U295P

## Bedienungsanleitung

### DIP-Schaltereinstellungen

Informationen zu den DIP-Schaltereinstellungen sind auf der vorderen Innenseite des Umschlags dieser Anleitung zu finden.

### Abbildungen

Dieses Handbuch ist in 9 Abschnitte unterteilt, einen pro Sprache. Die meisten Abbildungen sind im ersten Abschnitt zu finden und werden nicht wiederholt. Jeder Abschnitt enthält jedoch Seitenverweise auf die Abbildungen.

#### Druckerkomponenten

1. Dokumenteneinzug
2. Ein-/Ausschalter
3. Obere Abdeckung
4. Druckerabdeckung
5. Bedienfeld

Alle Rechte vorbehalten. Diese Veröffentlichung darf ohne ausdrückliche schriftliche Genehmigung der Seiko Epson Corporation nicht reproduziert, in einem Abrufsystem gespeichert oder in beliebiger Form und auf jedwede Weise übermittelt werden, weder durch Fotokopieren, Aufzeichnen, noch auf elektronische, mechanische oder sonstige Weise. Für die hierin enthaltenen Informationen wird keine Patenthaftung übernommen. Obgleich bei der Zusammenstellung dieser Anleitung mit Sorgfalt vorgegangen wurde, übernimmt die Seiko Epson Corporation keine Verantwortung für Fehler und Auslassungen. Zudem wird keine Haftung übernommen für Schäden, die aus der Verwendung der hierin enthaltenen Informationen entstehen.

Weder die Seiko Epson Corporation noch ihre Tochtergesellschaften sind dem Käufer dieses Produkts oder Drittparteien gegenüber für Schäden, Verluste, Kosten oder Ausgaben haftbar, die für den Käufer oder etwaige Drittparteien aufgrund von Unfall, Mißbrauch oder Zweckentfremdung dieses Produkts, nicht autorisierten Modifikationen, Reparaturen oder Produktumbauten sowie (mit Ausnahme USA) aufgrund des Versäumnisses anfallen, die Bedienungs- und Wartungsanleitungen der Seiko Epson Corporation genau einzuhalten.

Die Seiko Epson Corporation ist nicht haftbar für Schäden oder Probleme, die bei Verwendung von Optionen oder Verschleißteilen auftreten, die nicht als Original-Epson-Produkte oder von der Seiko Epson Corporation zugelassene Epson Produkte gelten.

EPSON ist ein eingetragenes Warenzeichen der Seiko Epson Corporation in Japan und anderen Ländern/Gebieten.

**HINWEIS:** Änderungen am Inhalt dieser Anleitung ohne Vorankündigung vorbehalten.

Copyright © 2004 Seiko Epson Corporation, Nagano, Japan.

### WARNUNG

Dies ist ein Gerät der Klasse A. In Wohnbereichen kann dieses Produkt Rundfunkstörungen verursachen; in diesem Fall muss der Benutzer geeignete Abhilfemaßnahmen treffen.

## Sicherheitshinweise

Dieser Abschnitt enthält wichtige Informationen für die sichere und effektive Verwendung dieses Produkts. Lesen Sie diesen Abschnitt sorgfältig durch und bewahren Sie ihn gut zugänglich auf.



### **WARNUNG:**

*Schalten Sie das Gerät sofort aus, wenn Sie Rauch bzw. ungewöhnliche Gerüche oder Geräusche bemerken. Wenn das Gerät weiter verwendet wird, kann dies zu einem Brand führen. Ziehen Sie den Netzstecker des Gerätes sofort aus der Netzsteckdose und benachrichtigen Sie Ihren Händler oder ein Seiko Epson Service Center. Versuchen Sie niemals, dieses Produkt eigenständig zu reparieren. Unsachgemäße Reparaturarbeiten können gefährlich sein.*

*Zerlegen oder modifizieren Sie dieses Produkt nicht. Unsachgemäße Arbeiten an diesem Produkt können zu Verletzungen oder einem Brand führen.*

*Stellen Sie sicher, dass Sie die für dieses Produkt geeignete Stromquelle verwenden. Anschluss an andere Stromquellen können zu einem Brand führen.*

*Vermeiden Sie das Eindringen von Fremdoobjekten in dieses Produkt. Das Eindringen von Fremdoobjekten kann zu einem Brand führen.*

*Wenn Wasser oder andere Flüssigkeiten in dieses Produkt eindringen, ziehen Sie sofort den Netzstecker heraus und benachrichtigen Sie einen Fachhändler oder Ihr Seiko Epson Service Center. Wenn das Gerät weiter verwendet wird, kann dies einen Brand verursachen.*

*Verwenden Sie keine brennbaren Sprühmittel in und in der Nähe des Gerätes. Brandgefahr!*



### **VORSICHT:**

*Schließen Sie Kabel nur auf die in diesem Handbuch beschriebene Weise an. Andere Kabelverbindungen können das Gerät beschädigen und einen Brand verursachen.*

*Stellen Sie dieses Gerät unbedingt auf einer festen, stabilen, horizontalen Fläche auf. Das Produkt kann beim Fallen beschädigt werden oder Verletzungen verursachen.*

*Verwenden Sie das Gerät nicht an Orten mit hohem Feuchtigkeits- oder Staubgehalt. Eine übermäßige Feuchtigkeits- oder Staubbentwicklung kann das Gerät beschädigen oder einen Brand verursachen.*

*Stellen Sie keine schweren Gegenstände auf dieses Produkt. Stellen Sie sich nie auf das Produkt und lehnen Sie sich nicht dagegen. Das Gerät kann fallen oder beschädigt werden und dabei Gegenstände beschädigen oder Personen verletzen.*

*Aus Sicherheitsgründen ziehen Sie bitte den Netzstecker aus der Netzsteckdose wenn Sie beabsichtigen, das Gerät über einen längeren Zeitraum nicht zu verwenden.*

---

## Sicherheitsaufkleber

Das Warnschild am Produkt weist auf folgenden Sicherheitshinweis hin.



### **WARNUNG:**

*Keine Telefonleitung an den Anschluss der Kassenschublade anschließen. Andernfalls besteht Gefahr, dass der Drucker und die Telefonleitung beschädigt werden.*

---

## Verwendungshinweise

Wenn dieses Produkt für Anwendungen verwendet wird, bei denen es auf hohe Zuverlässigkeit/Sicherheit ankommt, wie z.B. Transportvorrichtungen beim Flug-, Zug-, Schiffs- und Kfz-Verkehr usw., Vorrichtungen zur Katastrophenverhinderung, verschiedene Sicherheitsvorrichtungen oder Funktions-/Präzisionsgerät usw., sollten Sie dieses Produkt erst verwenden, wenn Sie Fail-Safe-Vorrichtungen und Redundanzsysteme in Ihr Design mit einbezogen haben, um die Sicherheit und Zuverlässigkeit des gesamten Systems zu gewährleisten. Da dieses Produkt nicht für den Einsatz bei Anwendungen vorgesehen ist, bei denen es auf extrem hohe Zuverlässigkeit/Sicherheit ankommt, wie beispielsweise in der Raumfahrt, bei primären Kommunikationseinrichtungen, Kernenergiekontrollanlagen oder medizinischen Vorrichtungen für die direkte medizinische Pflege usw., überlegen Sie bitte nach umfassender Evaluierung genau, ob das Produkt für Ihre Zwecke geeignet ist.

---

## Herunterladen von Treibern, Dienstprogrammen und Handbüchern

Treiber, Dienstprogramme und Handbücher können von folgenden Webadressen heruntergeladen werden.

Für Kunden in Nordamerika: Besuchen Sie die Website <http://www.epsonexpert.com/> und befolgen Sie die auf dem Bildschirm angezeigten Anweisungen.

Kunden in anderen Ländern besuchen die Website <http://download.epson-biz.com/?service=pos>

---

## **Auspacken**

Folgende Teile sind im Lieferumfang des Standarddruckers enthalten. Wenn ein Teil beschädigt ist, wenden Sie sich bitte an Ihren Händler.

- Drucker
- Transportsicherung
- Farbbandkassette
- Bedienungsanleitung (dieses Handbuch)

---

## **Bedienfeld**

### **Freigabe-Taste (RELEASE)**

Drücken Sie diese Taste zum Einlegen oder Entfernen von Papier.

### **Rückwärts-Taste (REVERSE)**

Drücken dieser Taste schiebt das Papier zurück.

### **Vorwärts-Taste (FORWARD)**

Drücken dieser Taste zieht das Papier ein.

### **Betriebsanzeige (POWER LED)**

Leuchtet, wenn der Drucker eingeschaltet ist.

### **Freigabeanzeige (RELEASE LED)**

Leuchtet, wenn Papier in den Drucker eingelegt oder herausgenommen werden kann. Leuchtet nicht, wenn sich der Drucker im Modus zum Papierfesthalten befindet. Blinkt, um auf einen Fehler hinzuweisen.

### **Papieranzeige (PAPER OUT LED)**

Leuchtet, wenn kein Papier eingelegt oder nicht ordnungsgemäß eingelegt ist.

---

## Entfernen der Transportsicherung

Der Drucker ist zum Schutz gegen Versandschäden mit einer Transportsicherung ausgestattet, die vor dem Einschalten des Druckers entfernt werden muss.

Ziehen Sie die Sicherung heraus, und entfernen Sie den Klebebandstreifen oben am Drucker, wie in Abbildung 1 auf Seite 6 gezeigt.

### **Hinweis:**

*Bereiten Sie den Drucker wie folgt für einen Versand oder zur Lagerung vor: Schalten Sie den Drucker ein, drücken Sie die Freigabe-Taste (RELEASE), drücken Sie die Vorwärts-Taste (FORWARD), schalten Sie den Drucker aus, und bringen Sie die Transportsicherung wieder an.*

---

## Einlegen eines Farbbandes

Verwenden Sie die Farbbandkassette Epson ERC-27. Bei Verwendung einer nicht von Epson genehmigten Farbbandkassette kann der Drucker beschädigt werden, und die Garantie erlischt.

1. Schalten Sie den Drucker mit dem Ein-/Ausschalter an der linken Seite ein.
2. Drücken Sie die Freigabe-Taste (RELEASE); die Freigabeanzeige (RELEASE LED) leuchtet. Damit wird der Drucker in den Papierfreigabemodus versetzt.
3. Schalten Sie den Drucker aus.



### **VORSICHT:**

*Führen Sie die Schritte oben aus, um sicherzugehen, dass sich der Drucker im Papierfreigabemodus befindet, bevor Sie eine Farbbandkassette einsetzen oder entfernen.*

4. Öffnen Sie die Druckerabdeckung, indem Sie zuerst leicht auf die Kanten oben links drücken und anschließend die Abdeckung nach vorne ziehen, wie in Abbildung 2 auf Seite 7 gezeigt.
5. Wenn ein gebrauchtes Farbband vorhanden ist, entfernen Sie es, indem Sie es am Griff gerade herausziehen, wie durch den Pfeil in Abbildung 3 auf Seite 7 gezeigt.
6. Vergewissern Sie sich vor dem Einlegen des neuen Farbbandes, dass dieses nicht verknittert oder verdreht ist. Drehen Sie dann den Spannkopf der Farbbandkassette in Pfeilrichtung, damit das Farbband gespannt ist.

7. Legen Sie die Farbbandkassette vorsichtig in den Drucker ein, wie in Abbildung **4** auf Seite 7 gezeigt. Achten Sie genau darauf, wie das Farbband eingesetzt werden muss.
8. Drücken Sie fest auf die rechte und anschließend auf die linke Seite der Farbbandkassette, bis jede Seite einrastet.
9. Um die Abdeckung wieder auf dem Drucker zu befestigen, richten Sie zunächst die linke Seite der Abdeckung aus. Führen Sie dann die Nase oben ein, und drücken Sie auf die Unterseite, bis sie einrastet (siehe Abbildung **2** auf Seite 7).

---

## **Einlegen von Papier**

### **Hinweis:**

*Verwenden Sie kein verknittertes Papier. Verwenden Sie nur Papier, das den Spezifikationen entspricht.*

1. Vergewissern Sie sich, dass im Drucker eine Farbbandkassette eingelegt ist.
2. Schalten Sie den Drucker ein. Die Betriebsanzeige (POWER LED) leuchtet.
3. Drücken Sie die Freigabe-Taste (RELEASE). Die Freigabeanzeige (RELEASE LED) leuchtet, um anzuzeigen, dass Papier eingelegt oder entfernt werden kann.
4. Legen Sie das Papier von vorne oder von der Seite ein, wie in Abbildung **5** auf Seite 8 gezeigt, bis es den Formularanschlag berührt. Verwenden Sie die Markierungen an der Seite des Druckers als Hinweis, wie weit sie das Papier hineinschieben müssen.
5. Beobachten Sie die Papieranzeige (PAPER OUT LED) während Sie das Papier einlegen. Ist das Papier ordnungsgemäß eingelegt, erlischt sie. Wenn die Papieranzeige jedoch weiterhin leuchtet, nehmen Sie das Papier heraus, und legen Sie es noch einmal ein.

---

## **Fehlersuche**

---

### **Auf dem Bedienfeld leuchten keine Lämpchen**

---

Überprüfen Sie, ob die Kabel ordnungsgemäß am Drucker, an der Spannungsversorgung und an der Steckdose angeschlossen sind.

Vergewissern Sie sich, dass die Steckdose Spannung führt. Wenn die Steckdose über einen Schalter oder Zeitgeber gesteuert wird, verwenden Sie eine andere Steckdose.

---

**Die Papieranzeige (PAPER OUT) leuchtet, und das Gerät druckt nicht**

---

Es ist kein Papier eingelegt, oder das Papier ist nicht richtig eingelegt.

---

**Die Freigabeanzeige (RELEASE LED) blinkt, und das Gerät druckt nicht**

---

Weist auf einen Fehler hin. Schalten Sie den Drucker aus, vergewissern Sie sich, dass kein Papierstau vorliegt, und schalten Sie den Drucker wieder ein. Wenn die Freigabeanzeige (RELEASE LED) immer noch blinkt, wenden Sie sich an einen qualifizierten Kundendiensttechniker.

Nederlands

# TM-U295/U295P

## Gebruikershandleiding

### DIP-switches

Zie binnenkant vooromslag van deze handleiding voor informatie over instelling van de DIP-switches.

### Illustraties

Deze handleiding is verdeeld in 9 delen, een voor elke taal. De illustraties bevinden zich in het eerste gedeelte en worden niet herhaald. Echter de pagina referenties in de andere delen verwijzen naar de illustraties in het eerste deel.

#### Onderdelen van de printer

1. documenttafel
2. POWER-knop
3. bovengedeelte
4. printerdeksel
5. bedieningspaneel

Alle rechten voorbehouden. Niets uit deze uitgave mag worden veelevoudigd, opgeslagen in een geautomatiseerd gegevensbestand of openbaar worden gemaakt in enige vorm of op enige wijze, hetzij elektronisch, mechanisch, door fotokopiëren, opnamen of enige andere manier, zonder voorafgaande schriftelijke toestemming van Seiko Epson Corporation. Er wordt geen aansprakelijkheid voor octrooiën aanvaard in verband met gebruik van de informatie in deze uitgave. Hoewel bij het samenstellen van deze uitgave de grootste zorgvuldigheid is betracht, aanvaardt Seiko Epson Corporation geen aansprakelijkheid voor fouten of omissies. Noch wordt aansprakelijkheid aanvaard voor schade die voortvloeit uit gebruik van de informatie in deze uitgave.

Noch Seiko Epson Corporation noch een van haar dochterondernemingen kan aansprakelijk worden gesteld door de koper of door derden voor schade, verliezen of kosten die door de koper of derden zijn gemaakt als gevolg van ongelukken, onjuist gebruik of misbruik van dit product of door onbevoegden uitgevoerde modificaties, reparaties of wijzigingen van dit product of (tevens in de VS) het niet in acht nemen van de aanwijzingen voor gebruik en onderhoud van Seiko Epson Corporation.

Seiko Epson Corporation is niet aansprakelijk voor schade of problemen die voortvloeien uit gebruik van andere optionele producten of verbruiksgoederen dan die welke door Seiko Epson Corporation zijn aangemerkt als "originele Epson-producten" of als "door Epson goedgekeurde producten".

EPSON is een gedeponerd handelsmerk van Seiko Epson Corporation in Japan en andere landen/gebieden.

**BEKENDMAKING:** Wijzigingen in de inhoud van deze handleiding onder voorbehoud.

Copyright © 2004 by Seiko Epson Corporation, Nagano, Japan.

### WAARSCHUWING

Dit is een product van klasse A. In een residentiële omgeving kan dit product radiostoring veroorzaken; in dat geval zal de gebruiker soms aanvullende maatregelen moeten treffen.



## Veiligheidsmaatregelen

Dit gedeelte bevat belangrijke informatie voor veilig en effectief gebruik van dit product. Lees dit gedeelte aandachtig door en bewaar het op een goed toegankelijke plaats.



### **WAARSCHUWING:**

*Het apparaat onmiddellijk uitschakelen wanneer het rook, een vreemde geur of ongebruikelijk geluid afgeeft. Doorgaan met gebruik kan leiden tot brand of elektrische schokken. De stekker onmiddellijk uit het stopcontact trekken en contact opnemen met de leverancier of een servicecentrum van Seiko Epson voor advies.*

*Probeer niet zelf het product te repareren. Onjuist uitgevoerde reparaties kunnen gevaar veroorzaken.*

*Dit product niet demonteren of wijzigen. Wijzigen van dit product kan letsel of brand veroorzaken.*

*Ervoor zorgen dat u de juiste voedingsbron gebruikt. Aansluiten op een onjuiste voedingsbron kan brand veroorzaken.*

*Voorkomen dat er voorwerpen in het apparaat vallen. Binnendringen van vreemde voorwerpen kan brand veroorzaken.*

*Als er water of andere vloeistoffen in het apparaat terecht komt, de stekker onmiddellijk uit het stopcontact trekken en contact opnemen met de leverancier of een Seiko Epson servicecentrum voor advies. Doorgaan met gebruik kan leiden tot brand.*

*Geen spuitbussen met brandgevaarlijk gas in of bij dit product gebruiken. Dat kan brand veroorzaken.*



### **LET OP:**

*De kabels niet op een andere wijze aansluiten dan als vermeld in deze handleiding. Een andere wijze van aansluiting kan apparatuurschade of brand veroorzaken.*

*Dit apparaat moet op een stevige, stabiele en horizontale ondergrond geplaatst worden. Het product kan beschadigd raken of ongelukken veroorzaken als het valt.*

*Niet gebruiken op plaatsen met een hoge vochtigheidsgraad of veel stof. Overmatig vocht en/of stof kan apparatuurschade of brand tot gevolg hebben.*

*Geen zware voorwerpen boven op dit product plaatsen. Nooit op dit product gaan staan of leunen. De apparatuur kan defect raken of in elkaar klappen, wat breuk en eventueel letsel kan veroorzaken.*

*Om ongelukken te voorkomen altijd de stekker van dit product uit het stopcontact trekken als u het langere tijd niet gebruikt.*

---

## Veiligheidsetiket

Het waarschuwingsetiket op het product geeft de volgende veiligheidsmaatregel.



### **WAARSCHUWING:**

*Geen telefoonlijn aansluiten op de connector van de kassalade aansturing; dat kan de telefoonlijn en de printer beschadigen.*

---

## Gebuiksbeperkinge

Wanneer dit product gebruikt wordt voor toepassingen die een hoge mate van betrouwbaarheid/veiligheid vereisen zoals bijv. transportapparatuur voor vliegtuigen, treinen, schepen, auto's enz.; ramppreventievoorzieningen; diverse soorten beveiligingsapparatuur enz.; of functionele/precisie-apparatuur, mag u dit product alleen gebruiken indien uw ontwerp voorziet in redundantie en fail-safes ten einde de veiligheid en betrouwbaarheid van het complete systeem te waarborgen. Omdat dit product niet bestemd is voor toepassingen die een uitermate hoge mate van betrouwbaarheid/veiligheid vereisen zoals luchtvaartapparatuur, primaire communicatieapparatuur, regelapparatuur voor kerninstallaties of medische apparatuur voor directe medische zorg, wordt u geacht uw eigen oordeel te hanteren aangaande de geschiktheid van dit product, op basis van grondige evaluatie.

---

## Downloaden van stuur- en hulpprogramma's en gebruiksaanwijzingen

Stuur- en hulpprogramma's en gebruiksaanwijzingen kunnen van een van de volgende URL's gedownload worden.

Klanten in Noord-Amerika kunnen gebruik maken van de volgende website: <http://www.epsonexpert.com/> en de instructies op het scherm volgen.

Klanten in andere landen kunnen gebruik maken van de volgende website:

<http://download.epson-biz.com/?service=pos>

---

## **Uitpakken**

De printer met standaard specificaties omvat de volgende items. Neem contact op met de leverancier als er onderdelen beschadigd zijn.

- Printer
- Demper
- Lintcassette
- Gebruikershandleiding (deze gebruikershandleiding)

---

## **Bedieningspaneel**

### **RELEASE-knop**

Druk op deze knop om papier in te voeren of te verwijderen.

### **REVERSE-knop**

Zorgt voor achterwaartse papiertoevoer.

### **FORWARD-knop**

Zorgt voor voorwaartse papiertoevoer.

### **POWER-lampje**

Brandt als de printer aan staat.

### **RELEASE-lampje**

BRANDT als de printer in de vrijgavemodus staat (om papier in te voeren of te verwijderen). UIT als de printer in de klemmodus staat (om papier vast te houden). KNIPPERT om aan te geven dat er een fout is.

### **PAPER OUT-lampje**

BRANDT als de papierrol niet of niet goed is geïnstalleerd.

---

## **Verwijderen van de transportdemper**

De printer wordt voor transport beschermd door een transportdemper die u moet verwijderen voordat u de printer aanzet.

Trek de demper naar buiten en verwijder de strip plakband aan de bovenkant van de printer (zie afb. 1 op pagina 6).

### **NB:**

*Maak de printer als volgt gereed voor transport of opslag: zet de printer aan, druk op de RELEASE-knop, druk op de FORWARD-knop, zet de printer uit en installeer de transportdemper weer.*

## Installeren van een lint

Gebruik Epson lintcassette ERC-27. Gebruik van lintcassettes die niet door Epson zijn goedgekeurd, kan de printer beschadigen en maakt de garantie ongeldig.

1. Zet de printer aan met de POWER-knop op de linkerkant.
2. Druk op de RELEASE-knop (het RELEASE-lampje gaat branden). Dit zet de printer in de modus voor papiervrijgave.
3. Zet de printer uit.



### **LET OP:**

*Voer bovenstaande stappen uit om er voor te zorgen dat de printer in de papiervrijgavemodus staat voordat u een lintcassette installeert of verwijdert.*

4. Open het printerdeksel door de randen bovenop iets naar links te duwen en vervolgens het deksel naar u toe te trekken (zie afb. 2 op pagina 7).
5. Als de printer een gebruikt lint bevat, verwijdert u dit door het handvat beet te pakken en het recht naar buiten te trekken (zie pijl in afb. 3 op pagina 7).
6. Voordat u het nieuwe lint installeert, moet u controleren of het niet gekreukeld of gedraaid is. Draai de toevoerknop vervolgens in de richting van de pijl op de lintcassette om het lint helemaal strak te trekken.
7. Plaats de lintcassette voorzichtig in de printer (zie afb. 4 op pagina 7). Let goed op de manier waarop het lint moet lopen.
8. Druk stevig op de linker- en vervolgens op de rechterkant van de lintcassette tot beide kanten op hun plaats zijn geklikt.
9. Om het deksel terug te plaatsen op de printer, zet u eerst de linkerkant van het deksel in lijn; vervolgens steekt u de lip bovenaan in; als laatste drukt u de onderkant aan totdat het deksel op zijn plaats klikt (zie afb. 2 op pagina 7).

## Inbrengen van papier

### **NB:**

*Geen gevouwen of gekreukeld papier gebruiken. Gebruik papierrollen die voldoen aan de specificaties.*

1. Controleer of er een lintcassette in de printer is geïnstalleerd.
2. Zet de printer aan. Het POWER-lampje gaat branden.

3. Druk op de RELEASE-knop. Het RELEASE-lampje brandt om aan te geven dat de printer in de vrijgavemodus staat. In deze modus kunt u papier invoeren en verwijderen.
4. Voer het papier in vanaf de voorkant of de zijkant (zie afb. 5 op pagina 8) totdat de formulieraanslag het stopt. Gebruik de markeringen op de zijkant van de printer om te bepalen hoever u het papier moet invoeren.
5. Kijk naar het PAPER OUT-lampje. Als u het papier juist hebt geplaatst, gaat het PAPER OUT-lampje uit. Als het PAPER OUT-lampje blijft branden, verwijdert u het papier en voert u het opnieuw in.

---

## **Probleemoplossing**

---

### **Lampjes op het bedieningspaneel branden niet.**

---

Controleer of de snoeren van de voeding goed in de printer, de voedingsunit en het stopcontact zijn gestoken.

Kijk of het stopcontact onder stroom staat. Als het stopcontact een schakelaar of timer heeft, moet u een ander stopcontact gebruiken.

---

### **Het PAPER OUT-lampje brandt en er wordt niets afgedrukt.**

---

Papier is niet of niet goed ingevoerd.

---

### **Het RELEASE-lampje knippert en er wordt niets afgedrukt.**

---

Geeft aan dat er een fout is. Zet de printer uit, kijk of er geen papier is vastgelopen en zet de printer vervolgens weer aan. Als het RELEASE-lampje blijft knipperen, neemt u contact op met een bevoegd onderhoudsmonteur.

# TM-U295/U295P

## Manuel d'utilisation

### Micro-interrupteurs (DIP)

Pour tous renseignements sur le réglage des micro-interrupteurs (DIP), voir l'intérieur de la couverture de ce manuel.

### Illustrations

Le présent manuel comprend 9 parties, une pour chaque langue. La plupart des illustrations se trouve dans la première partie exclusivement. Le numéro de page des illustrations est toutefois indiqué dans chaque partie.

#### Pièces de l'imprimante

1. tablette à documents
2. interrupteur de marche/arrêt (POWER)
3. boîtier supérieur
4. capot de l'imprimante
5. panneau de commande

Tous droits réservés. Sauf autorisation écrite préalable de Seiko Epson Corporation, la reproduction, le stockage dans un système de rappel de données et la transmission sous quelque forme ou par quelque moyen que ce soit (électronique, mécanique, par photocopie, enregistrement, etc...) d'une partie quelconque de la présente publication sont interdits. La société décline toute responsabilité relative à l'exploitation des informations contenues dans le présent document. Cet ouvrage a été rédigé avec le plus grand soin ; toutefois, Seiko Epson décline toute responsabilité pour les erreurs et omissions qu'il pourrait contenir, ainsi que pour tous dommages résultant de l'exploitation des informations qu'il contient.

La responsabilité de Seiko Epson Corporation ou de ses filiales ne saurait être engagée envers l'acheteur de ce produit ou envers des tiers pour dommages, pertes, frais ou débours encourus par ceux-ci par suite d'accident ou d'utilisation erronée ou abusive de ce produit, de modification, réparation ou transformation non autorisée de celui-ci, ou (à l'exclusion des Etats-Unis), de toute utilisation du produit qui n'est pas strictement conforme aux instructions d'utilisation et de maintenance de Seiko Epson Corporation.

Seiko Epson Corporation décline toute responsabilité pour dommages ou problèmes découlant de l'utilisation de tous articles en option ou de toutes fournitures consommables autres que celles désignée produit d'origine Epson ou produit approuvé Epson par Seiko Epson Corporation.

EPSON est une marque déposée de Seiko Epson Corporation au Japon et dans d'autres pays/régions.

**REMARQUE :** Les informations contenues dans ce manuel sont sujettes à modification sans préavis.

Copyright © 2004 par Seiko Epson Corporation, Nagano, Japon.

### AVERTISSEMENT

Cet appareil est un produit de classe A. Dans un environnement résidentiel, il risque de provoquer un brouillage radio, auquel cas l'utilisateur pourra être tenu de prendre des mesures adéquates.

## Consignes de sécurité

Cette section présente des informations importantes relatives à l'utilisation efficace et sans danger de ce produit. On voudra bien la lire attentivement et la conserver à portée de main.



### **AVERTISSEMENT :**

*Mettre immédiatement l'équipement hors tension s'il dégage de la fumée ou une odeur étrange ou s'il émet des bruits inhabituels. En persistant à l'utiliser dans ces circonstances, on risquerait de provoquer un incendie. Débrancher immédiatement l'équipement et contacter le distributeur ou un centre de service Seiko Epson pour demander conseil. Ne jamais essayer de réparer ce produit soi-même. Toute réparation erronée peut être dangereuse.*

*Ne jamais démonter ou modifier ce produit. Les interventions intempestives peuvent provoquer des blessures ou des incendies.*

*Vérifier que la source d'alimentation électrique est conforme aux spécifications. Toute connexion à une source d'alimentation non conforme peut provoquer un incendie.*

*Ne pas laisser tomber de corps étrangers dans l'équipement. La pénétration de corps étrangers peut provoquer un incendie.*

*En cas de pénétration d'eau ou d'un autre liquide renversé dans l'équipement, débrancher immédiatement le cordon d'alimentation et contacter le distributeur ou un centre de service Seiko Epson pour demander conseil. En persistant à utiliser l'équipement dans ces circonstances, on risquerait de provoquer un incendie.*

*Ne pas utiliser de bombes à aérosol contenant un gaz inflammable à l'intérieur ou à proximité de ce produit. Cela pourrait entraîner un incendie.*



### **ATTENTION :**

*Se conformer strictement aux instructions relatives à la connexion de câbles du présent manuel. Tout écart peut provoquer l'endommagement de l'équipement ou un incendie.*

*Veiller à poser cette unité sur une surface horizontale ferme et stable. Toute chute du produit peut casser celui-ci ou occasionner des blessures.*

*Ne pas utiliser le produit dans des endroits très poussiéreux ou exposés à une forte humidité. Toute humidité ou poussière excessive peut provoquer l'endommagement de l'équipement ou un incendie.*

*Ne pas poser d'objets lourds sur ce produit. Ne jamais s'y appuyer ou monter dessus. L'équipement pourrait tomber ou s'affaisser, et se casser ou causer des blessures.*

*Pour plus de sécurité, débrancher ce produit lorsqu'il ne doit pas servir pendant une période de temps prolongée.*

## **Étiquette de sécurité**

L'étiquette de mise en garde sur le produit indique la précaution suivante.



### **AVERTISSEMENT :**

*Ne pas brancher de ligne téléphonique sur le connecteur d'ouverture automatique du tiroir car cela risquerait d'endommager l'imprimante et la ligne téléphonique.*

## **Restrictions d'emploi**

En cas d'utilisation de ce produit pour des applications exigeant une grande fiabilité/sécurité, telles qu'appareils employés en transport aérien, ferroviaire, maritime, automobile, etc., appareils de prévention des catastrophes, divers appareils de sécurité, etc., ou appareils de fonction/précision, vous devrez, avant d'utiliser ce produit, considérer l'Incorporation à votre système de dispositifs de sécurité positive et de moyens redondants assurant la sécurité et la fiabilité de l'ensemble du système. Étant donné que ce produit n'est pas destiné aux applications exigeant une fiabilité/sécurité extrême, telles que matériel aérospatial, matériel de communications principal, matériel de commande nucléaire ou matériel de soins médicaux directs, etc., vous devrez, après totale évaluation, décider si ce produit convient.

## **Téléchargement des pilotes, utilitaires et manuels**

Il est possible de télécharger les pilotes, utilitaires et manuels à partir de l'une des URL suivantes.

En Amérique du Nord, accédez au site web suivant :  
<http://www.epsonexpert.com/> et suivez les instructions qui s'affichent à l'écran.

Dans les autres pays, accédez au site web suivant :  
<http://download.epson-biz.com/?service=pos>



---

## Déballage

Les éléments suivants sont fournis avec l'imprimante standard.  
Contacter le revendeur si l'un d'entre eux est endommagé.

- Imprimante
- Tampon
- Cartouche de ruban
- Manuel d'utilisation (ce manuel)

---

## Panneau de commande

### **Bouton de dégagement (RELEASE)**

Appuyer sur ce bouton pour insérer ou retirer du papier.

### **Bouton de recul (REVERSE)**

Appuyer sur ce bouton pour faire reculer le papier.

### **Bouton d'avance (FORWARD)**

Appuyer sur ce bouton pour faire avancer le papier.

### **Témoin d'alimentation (POWER)**

Ce voyant s'allume lorsque l'imprimante est en marche.

### **Témoin de dégagement (RELEASE)**

Ce voyant s'allume lorsque l'imprimante est en mode de dégagement (pour permettre l'insertion ou le retrait du papier). Il s'éteint lorsque l'imprimante est en mode de préhension (pour maintenir le papier en place). Ce voyant clignote pour indiquer une erreur.

### **Témoin de papier épuisé (PAPER OUT)**

Ce voyant s'allume lorsque le papier est absent ou mal inséré.

---

## Retrait du tampon de transport

En cours d'expédition, l'imprimante est protégée par un tampon de transport, qu'il convient de retirer avant de la mettre sous tension.

Tirer sur le tampon pour le dégager et retirer la bande de ruban adhésif du dessus de l'imprimante, comme l'indique la figure 1, page 6.

### **Remarque :**

*Pour préparer l'imprimante en vue de son expédition ou stockage, procéder comme suit : mettre l'imprimante sous tension, appuyer sur le bouton de dégagement (RELEASE), appuyer sur le bouton d'avance (FORWARD), mettre l'imprimante hors tension et réinstaller le tampon de transport.*

## Installation d'un ruban

Utiliser la cartouche de ruban Epson ERC-27. L'utilisation de cartouches de ruban non approuvées par Epson peut endommager l'imprimante et entraîne l'annulation de la garantie.

1. Mettre l'imprimante sous tension à l'aide de l'interrupteur de marche-arrêt situé sur la face gauche de l'imprimante.
2. Appuyer sur le bouton de dégagement (RELEASE) (le témoin de dégagement (RELEASE) s'allume). L'imprimante est désormais en mode de dégagement.
3. Mettre l'imprimante hors tension.



### **ATTENTION :**

*Avant toute installation ou tout retrait d'une cartouche de ruban, procéder aux étapes ci-dessus pour s'assurer que l'imprimante est en mode de dégagement du papier.*

4. Ouvrir le capot de l'imprimante en poussant d'abord légèrement vers la gauche les arrêtes situées sur la partie supérieure, puis tirer le capot vers l'avant, comme l'indique la figure **2**, page 7.
5. Si un ruban usagé est en place, le retirer en saisissant la poignée et la tirant vers l'extérieur, dans le sens de la flèche de la figure **3**, page 7.
6. Avant d'installer le nouveau ruban, vérifier qu'il n'est ni froissé, ni entortillé. Afin d'éliminer tout jeu du ruban, tourner le bouton de la cartouche dans le sens de la flèche.
7. Insérer avec précaution la cartouche de ruban dans l'imprimante, comme l'indique la figure **4**, page 7. Observer la position exacte que le ruban doit assumer.
8. Appuyer fermement sur le côté droit de la cartouche de ruban, puis sur son côté gauche, jusqu'à ce que les deux côtés s'encliquètent en position.
9. Pour remettre le capot en place sur l'imprimante, aligner tout d'abord le côté gauche du capot, puis insérer la languette supérieure ; enfin, appuyer sur la partie inférieure jusqu'à ce qu'elle s'encliquète en position (voir la figure **2**, page 7).

---

## **Insertion du papier**

### **Remarque :**

Utiliser uniquement du papier lisse et plat. Vérifier que le rouleau de papier est conforme aux spécifications.

1. Vérifier qu'une cartouche de ruban est installée dans l'imprimante.
2. Mettre l'imprimante sous tension. Le témoin d'alimentation (POWER) s'allume.
3. Appuyer sur le bouton de dégagement (RELEASE). Le témoin de dégagement (RELEASE) s'allume pour indiquer que l'imprimante est en mode de dégagement. Ce mode, permet l'insertion et le retrait de papier.
4. Insérer le papier soit par l'avant, soit par le côté, comme l'indique la figure **5**, page 8, jusqu'à ce qu'il atteigne la butée d'arrêt. Se guider sur les repères latéraux de l'imprimante pour juger la profondeur à laquelle il faut faire pénétrer le papier.
5. Vérifier le témoin de papier épuisé (PAPER OUT). Lorsque le papier est correctement installé, le témoin de papier épuisé (PAPER OUT) est éteint. Si ce n'est pas le cas, retirer le papier et le réinsérer.

---

## **Dépannage**

---

### **Aucun témoin du panneau de commande ne s'allume**

---

Vérifier la bonne connexion des câbles d'alimentation aux niveaux de l'imprimante, du bloc d'alimentation et de la prise.

Vérifier que la prise est sous tension. Si elle est commandée par un interrupteur ou une minuterie, utiliser une autre prise.

---

### **Le témoin de papier épuisé (PAPER OUT) est allumé et l'imprimante ne fonctionne pas**

---

Le papier est absent ou mal inséré.

---

### **Le témoin de dégagement (RELEASE) clignote et l'imprimante ne fonctionne pas**

---

Indique une erreur. Mettre l'imprimante hors tension, vérifier qu'il n'y a pas de bourrage de papier, et la remettre sous tension. Si le témoin de dégagement (RELEASE) clignote toujours, contacter un technicien qualifié.

# TM-U295/U295P

## Manual do utilizador

### Interruptor DIP

Veja a contracapa frontal deste manual para informações sobre as definições do interruptor DIP.

### Ilustrações

Este manual está dividido em 9 secções, uma para cada língua. As ilustrações aparecem apenas na primeira secção; no entanto, em cada uma das secções, há referência às páginas onde se encontram as ilustrações.

#### Peças da impressora

1. superfície para documentos
2. interruptor de ligação
3. caixa superior
4. tampa da impressora
5. painel de controlo

Todos os direitos reservados. Esta publicação não pode ser integral ou parcialmente reproduzida, arquivada nem transmitida por meio de fotocópias, gravação ou qualquer outro sistema mecânico ou electrónico, sem a prévia autorização por escrito da Seiko Epson Corporation, que não assume qualquer responsabilidade de patente no que diz respeito ao uso das informações aqui contidas. Uma vez que foram tomadas todas as precauções na elaboração deste manual, a Seiko Epson Corporation não se responsabiliza por erros ou omissões, nem por quaisquer danos resultantes do uso das informações aqui contidas.

O comprador deste produto ou terceiros não podem responsabilizar a Seiko Epson Corporation, ou as suas filiais, por quaisquer danos, perdas, custos ou despesas, incorridos por ele ou por terceiros, resultantes de acidentes, abusos ou má utilização do produto, de modificações não autorizadas, reparações ou alterações do produto, ou resultantes ainda da inobservância estrita das instruções de utilização e manutenção estabelecidas pela Seiko Epson Corporation.

A Seiko Epson Corporation não se responsabiliza por quaisquer avarias ou problemas provocados pela utilização de opções ou produtos não reconhecidos como sendo produtos genuínos Epson ou produtos aprovados pela Epson.

EPSON é marca registada da Seiko Epson Corporation no Japão e noutros países/regiões.

**AVISO:** O conteúdo deste manual está sujeito a alterações sem aviso prévio.

© 2004 Seiko Epson Corporation, Nagano, Japão.

### IMPORTANTE

Este é um produto de Classe A. Num ambiente doméstico, este produto poderá causar interferência de rádio. Nesse caso, o utilizador poderá ter de tomar medidas adequadas.

## Instruções de segurança

Esta secção contém informações importantes sobre como utilizar este produto de uma forma eficaz e segura. Leia estas instruções e guarde-as num local acessível para que as possa consultar sempre que necessário.



### **ATENÇÃO:**

*Se o equipamento emitir fumo, um odor estranho ou um ruído invulgar, desligue-o imediatamente. Se o continuar a utilizar, poderá provocar um incêndio ou um choque eléctrico. Desligue imediatamente o equipamento da tomada e contacte o Serviço de Assistência a Clientes Epson.*

*Nunca tente reparar este produto; as reparações indevidas podem tornar-se perigosas.*

*Nunca desmonte ou modifique este produto; caso contrário pode ferir-se, provocar um incêndio ou um choque eléctrico.*

*Utilize a fonte de energia especificada; caso contrário, poderá provocar um incêndio ou um choque eléctrico.*

*Não insira objectos estranhos no interior do equipamento; caso contrário, poderá provocar um incêndio ou um choque eléctrico.*

*Se derramar água ou outro líquido no equipamento, desligue o cabo de corrente imediatamente e contacte o Serviço de Assistência a Clientes Epson. Se continuar a utilizar o equipamento, poderá provocar um incêndio ou um choque eléctrico.*

*Não utilize aspersores aerossóis que contenham gás inflamável no interior ou em torno deste produto, pois isto pode causar incêndio.*



### **IMPORTANTE:**

*Ao ligar os cabos, siga estritamente as instruções do manual. Diferentes ligações podem danificar ou queimar o equipamento.*

*Instale o equipamento numa superfície firme, plana e estável, para evitar que o equipamento caia e fique danificado ou cause ferimentos.*

*Evite locais sujeitos a níveis de humidade e elevados e com demasiado pó. Humidade e pó em excesso podem danificar o equipamento, provocar um incêndio ou um choque eléctrico.*

*Não coloque objectos pesados em cima deste produto. Não se sente nem se apoie em cima do produto. O equipamento pode cair ou ceder e partir ou provocar ferimentos.*

*Para maior segurança, desligue este produto se não o for utilizar durante um longo período.*

---

## **Etiqueta de segurança**

A etiqueta de aviso no produto indica a seguinte precaução.



### **ATENÇÃO:**

*Não ligue uma linha telefónica ao conector de abertura da gaveta; caso contrário, poderá danificar a impressora e a linha telefónica.*

---

## **Restrições quanto à utilização**

Quando este produto for utilizado em aplicações que requeiram alta fiabilidade/segurança, como por exemplo dispositivos de transporte relacionados a aviação, carris, por via marítima, automotiva, etc.; dispositivos para a prevenção de desastres; vários dispositivos de segurança, etc.; ou dispositivos funcionais/de precisão, etc., deve-se utilizá-lo apenas após considerar-se adequadamente a inclusão de protecção contra falhas e de redundâncias no seu projecto de forma a manterem-se a segurança e a total fiabilidade do sistema. Como este produto não se destina à utilização em aplicações que requeiram fiabilidade/segurança extremamente altas, como equipamentos aeroespaciais, equipamentos de base para comunicações, equipamentos para o controlo de energia nuclear, ou equipamentos médicos relacionados a cuidados médicos directos, etc., queira tomar a sua própria decisão sobre a adequação deste produto após uma avaliação completa.

---

## **Download de Drivers, Utilitários e Manuais**

Pode-se fazer o download dos drivers, utilitários e manuais a partir de um dos URL abaixo.

Para clientes na América do Norte, visitar o seguinte sítio da web: <http://www.epsonexpert.com/> e seguir as instruções no écran.

Para clientes noutros países, visitar o seguinte sítio da web: <http://download.epson-biz.com/?service=pos>

---

## **Desembalagem**

Os seguintes elementos são fornecidos com a impressora de especificação padrão. Se algum dos itens se encontrar danificado, contacte o Serviço de Assistência a Clientes Epson.

- Impressora

- ❑ Amortecedor
- ❑ Cassete de fita
- ❑ Manual do utilizador (este manual)

---

## ***Painel de controlo***

### ***Tecla de libertação (RELEASE)***

Pressione esta tecla para inserir ou retirar papel.

### ***Tecla de retrocesso (REVERSE)***

Alimenta o papel para trás.

### ***Tecla de avanço (FORWARD)***

Alimenta o papel para a frente.

### ***Indicador luminoso de ligação (POWER)***

Acende quando a impressora está ligada.

### ***Indicador luminoso de libertação (RELEASE)***

Acende quando a impressora está no modo de libertação (para inserir ou retirar papel). Apaga quando a impressora está no modo de fixação (para segurar o papel). Fica intermitente para indicar um erro.

### ***Indicador luminoso de falta de papel (PAPER OUT)***

Acende quando não há papel ou quando este não está inserido correctamente.

---

## ***Remoção do amortecedor***

A impressora está protegida durante o transporte por um amortecedor, que deve ser retirado antes de ligar a impressora.

Puxe o amortecedor para fora e retire a fita adesiva existente na parte superior da impressora, conforme se indica na figura 1 da página 6.

### ***Nota:***

*Antes de transportar ou guardar a impressora, execute as seguintes operações: ligue a impressora, pressione a tecla de libertação (RELEASE), pressione a tecla de avanço (FORWARD), desligue a impressora e reinstale o amortecedor.*

## Instalação da fita

Utilize a cassete de fita Epson ERC-27. A utilização de outras cassetes de fita que não sejam aprovadas pela Epson pode danificar a impressora e irá anular a garantia.

1. Ligue a impressora utilizando o interruptor de ligação situado do lado esquerdo.
2. Pressione a tecla de libertação (RELEASE) (o indicador luminoso de libertação [RELEASE] acende). A impressora entra no modo de libertação de papel.
3. Desligue a impressora.



### **IMPORTANTE:**

*Execute as operações acima indicadas para se assegurar de que a impressora está no modo de libertação de papel antes de instalar ou retirar uma cassete de fita.*

4. Abra a tampa da impressora e retire-a, pressionando ligeiramente as partes indicadas pelas setas; em seguida, puxe a tampa para a frente, conforme se indica na figura **2** da página 7.
5. Se a fita estiver gasta, retire-a, segurando firmemente na pega, e puxe-a para fora, conforme indica a seta existente na figura **3** da página 7.
6. Antes de instalar uma nova fita, verifique se não está dobrada ou torcida. Em seguida, rode o botão da cassete na direcção da seta existente na cassete de fita para eliminar qualquer folga.
7. Insira cuidadosamente a cassete de fita na impressora, conforme se indica na figura **4** da página 7. Tenha em atenção o local por onde a fita deve passar.
8. Exerça pressão sobre o lado direito e, em seguida, sobre o lado esquerdo da cassete de fita até a fixar.
9. Para voltar a colocar a tampa na impressora, alinhe o lado esquerdo da tampa e insira a lingueta na parte superior. Em seguida, pressione a parte inferior até a fixar (ver figura **2** da página 7).

## Inserção de papel

### **Nota:**

*Não utilize papel com vincos ou enrolado. Certifique-se de que utiliza papel em rolo que esteja de acordo com as especificações.*

1. Verifique se a cassete de fita está instalada na impressora.



2. Ligue a impressora. O indicador luminoso de ligação (POWER) acende.
3. Pressione a tecla de libertação (RELEASE). O indicador de libertação (RELEASE) acende para indicar que a impressora está no modo de libertação. Neste modo, pode inserir ou retirar papel.
4. Insira o papel na parte frontal ou lateral, até que o fixador de papel o pare, conforme se indica na figura 5 da página 8. Utilize as marcas existentes na parte lateral da impressora para verificar até onde pode inserir o papel.
5. Verifique o indicador luminoso de falta de papel (PAPER OUT). Quando inserir o papel correctamente, o indicador luminoso de falta de papel (PAPER OUT) apaga. Se o indicador luminoso de falta de papel (PAPER OUT) permanecer aceso, retire o papel e insira-o novamente.

---

## **Resolução de problemas**

---

### **Os indicadores luminosos não acendem no painel de controlo**

---

Verifique se os cabos de alimentação estão ligados correctamente à impressora, à fonte de alimentação e à tomada eléctrica.

Assegure-se de que a tomada tem corrente. Se a tomada for controlada por um interruptor ou temporizador, utilize outra tomada.

---

### **O indicador luminoso de falta de papel (PAPER OUT) está aceso mesmo sem impressão**

---

O papel não foi inserido ou não foi inserido correctamente.

---

### **O indicador luminoso de libertação (RELEASE) está intermitente mesmo sem impressão**

---

Indica um erro. Desligue a impressora, assegure-se de que não tem papel encravado e ligue-a novamente. Se o indicador luminoso de libertação (RELEASE) permanecer intermitente, contacte o Serviço de Assistência a Clientes Epson.

**Español**

# TM-U295/U295P

## Manual del usuario

### Los interruptores DIP

Vea la información sobre la fijación de los interruptores DIP en el interior de la portada de este manual.

### Ilustraciones

Este manual se divide en 9 secciones, una para cada idioma. La mayoría de las ilustraciones aparecen en la primera sección, y no se repiten. Sin embargo, cada sección hace referencia a las páginas de las ilustraciones.

#### Piezas de la impresora

1. tablero para documentos
2. interruptor de la alimentación (*POWER*)
3. tapa superior
4. tapa de la impresora
5. panel de control

Se reservan todos los derechos. Ninguna porción de esta publicación podrá reproducirse, guardarse en un sistema de recuperación de datos o transmitirse en forma o modo alguno, sea electrónico, mecánico, fotocopiado, grabado o de otra forma, sin el permiso previo y por escrito de Seiko Epson Corporation. No se asume responsabilidad de patente con respecto al uso de la información contenida aquí. Si bien se han tomado todas las precauciones en la preparación de este libro, Seiko Epson Corporation no asume ninguna responsabilidad por errores u omisiones. Tampoco asume responsabilidad alguna que surja por el uso de la información contenida aquí.

Ni Seiko Epson Corporation ni sus compañías afiliadas serán responsables ante el comprador de este producto o ante terceros por daños, pérdidas, costos, o gastos incurridos por el comprador o por terceros como resultado de: accidente, uso indebido, o abuso de este producto o de modificaciones, reparaciones o alteraciones no autorizadas de este producto, o (excluyendo a los EE.UU.) por no cumplir estrictamente con las instrucciones de operación y mantenimiento de Seiko Epson Corporation.

Seiko Epson Corporation no será responsable de cualquier daño o problema que surja por el uso de cualquier opción o producto de consumo que no esté designado como Producto Epson Original o Aprobado por Seiko Epson Corporation.

EPSON es una marca registrada de Seiko Epson Corporation en Japón y otros países/regiones.

**AVISO:** El contenido de este manual está sujeto a cambios sin previo aviso.

Copyright © 2004 Seiko Epson Corporation, Nagano, Japón.

### ADVERTENCIA

Este es un producto de Clase A. En un ambiente residencial este producto podría causar radiointerferencias, en cuyo caso el usuario podría verse en la necesidad de tomar las medidas apropiadas.

## Precauciones de Seguridad

En esta sección, se presenta información importante cuyo propósito es cerciorarse de un uso seguro y efectivo de este producto. Por favor, lea esta sección con cuidado y guárdela en un lugar accesible.



### **ADVERTENCIA:**

*Apague su equipo de inmediato si éste produce humo, un olor raro, o un ruido inusual. El seguir utilizándolo podría ocasionar un incendio. Desenchufe el equipo de inmediato y comuníquese con su distribuidor o con un servicio técnico Epson.*

*Nunca trate de reparar este producto usted mismo. Una reparación incorrecta puede ser peligrosa.*

*Nunca desmonte o modifique este producto. La manipulación de este producto puede causar lesiones o un incendio.*

*Cerciórese de usar la fuente de alimentación eléctrica especificada. La conexión a una fuente de alimentación eléctrica inadecuada puede causar un incendio.*

*No deje que materiales extraños caigan dentro del equipo, ya que podría provocar un incendio.*

*Si se derrama agua o algún otro líquido dentro del equipo, desenchufe el cable eléctrico inmediatamente, y después comuníquese con su distribuidor o con un servicio técnico Epson. El seguir usándolo podría causar un incendio.*

*No use rociadores tipo aerosol que contengan gases inflamables dentro o alrededor de este producto, pues podría causar un incendio.*



### **PRECAUCIÓN:**

*No conecte los cables en formas que difieran a las mencionadas en este manual. Conexiones diferentes podrían causar daños e incendios.*

*Cerciórese de poner este equipo sobre una superficie firme, estable, horizontal. El producto se puede romper o causar lesiones si se cae.*

*No lo use en lugares sujetos a altos niveles de humedad o de polvo. El exceso de humedad o de polvo podría causar daños o incendios al equipo.*

*No ponga objetos pesados encima de este producto. Nunca se apoye sobre este producto. El equipo podría caerse, causando roturas y posibles lesiones.*

*Por razones de seguridad, por favor desenchufe este producto antes de dejarlo sin usar por un largo periodo de tiempo.*

---

## **Etiqueta de seguridad**

La etiqueta de advertencia en el producto indica la siguiente precaución.



### **ADVERTENCIA:**

*No conecte una línea telefónica al conector de apertura del cajón; si lo hace, se pueden dañar la impresora y la línea de teléfono.*

---

## **Restricción en el uso**

Cuando este producto se usa en aplicaciones que requieren de alta fiabilidad/seguridad tales como los dispositivos relacionados con la aviación, los ferrocarriles, la marina, los automóviles, etc.; los dispositivos de prevención de desastres; dispositivos varios de seguridad, etc.; o los dispositivos funcionales/de precisión, etc., usted deberá tener en cuenta los posibles fallos, las redundancias de su diseño para mantener la seguridad y la fiabilidad total de su sistema. Debido a que este producto no tuvo el propósito de usarse en aplicaciones que requieren de una fiabilidad/seguridad sumamente altas tales como los equipos aeroespaciales, equipos principales de comunicación, equipos de control en plantas nucleares, o en equipos médicos relacionados con los cuidados médicos directos, etc., por favor decida usted mismo sobre la adecuación de este producto después de una evaluación completa.

---

## **Cómo descargar programas gestores, utilerías y manuales**

Los programas gestores, las utilerías y los manuales se pueden descargar en uno de los siguientes URLs.

Para los clientes en América del Norte, visiten el siguiente sitio en la Internet: <http://www.epsonexpert.com/> y siga las instrucciones que aparecen en pantalla.

Para los clientes en otros países, visiten el siguiente sitio en la Internet:

<http://download.epson-biz.com/?service=pos>

---

## Desembalaje

Se incluyen los siguientes artículos con la impresora estándar. Si algún artículo está dañado, comuníquese con su distribuidor.

- Impresora
- Protector
- Cartucho de cinta
- Manual del usuario (este manual)

---

## Panel de control

### **Botón de liberación (RELEASE)**

Presione este botón para insertar o sacar papel.

### **Botón de retroceso (REVERSE)**

Alimenta el papel hacia atrás.

### **Botón de avance (FORWARD)**

Alimenta el papel hacia adelante.

### **Indicador de alimentación (POWER)**

ENCENDIDO cuando la impresora está encendida.

### **Indicador de liberación (RELEASE)**

ENCENDIDO cuando la impresora está en modo de liberación (para insertar o sacar el papel). APAGADO cuando la impresora está en modo de sujeción (para sostener el papel). PARPADEA para indicar un error.

### **Indicador de falta de papel (PAPER OUT)**

ENCENDIDO cuando no se ha insertado papel o éste no se insertó correctamente.

---

## Retirar el protector de transporte

La impresora está protegida durante el transporte por un protector que usted tiene que quitar antes de encenderla.

Tire del protector para sacarlo y quite la tira de cinta que está en la parte superior de la impresora, como se muestra en la ilustración 1 en la página 6.

### **Nota:**

*Prepare la impresora para ser transportada o guardada siguiendo estos pasos: encienda la impresora, presione el botón de liberación (RELEASE), presione el botón de avance (FORWARD), apague la impresora, y vuelva a instalar el protector de transporte.*

## Instalación de una cinta

Use el cartucho de cinta Epson ERC-27. El uso de cualesquiera otros cartuchos de cinta que no sean los homologados por Epson podría dañar la impresora.

1. Encienda la impresora usando el interruptor de alimentación del lado izquierdo.
2. Presione el botón de liberación (RELEASE) (el indicador RELEASE se ilumina). Esto pone la impresora en el modo de liberación de papel.
3. Apague la impresora.



### **PRECAUCIÓN:**

*Siga los pasos anteriores para asegurarse de que la impresora está en el modo de liberación de papel antes de instalar o de retirar un cartucho de cinta.*

4. Abra la tapa de la impresora presionando las lengüetas superiores ligeramente hacia la izquierda y después tirando de la cubierta hacia adelante, como se muestra en la ilustración **2** en la página 7.
5. Si hay una cinta usada, quítela tomándola por la manija y tirando de ella hacia afuera, como se muestra por la flecha en la ilustración **3** en la página 7.
6. Antes de instalar la cinta nueva, verifíquela para ver que no esté arrugada o doblada. Gire el botoncillo de alimentación en el sentido de la flecha del cartucho de cinta con el fin de tensar la cinta.
7. Cuidadosamente inserte el cartucho de cinta en la impresora como se muestra en la ilustración **4** en la página 7. Fíjese exactamente en dónde tiene que entrar la cinta.
8. Empuje firmemente el lado derecho y después el izquierdo del cartucho de cinta hasta que, produciendo un chasquido, cada lado entre en su lugar.
9. Para volver a colocar la tapa en la impresora, primero alinee el lado izquierdo de la tapa; después inserte la lengüeta en la parte de arriba; después presione el fondo hasta que, produciendo un chasquido, entre en su lugar (vea la ilustración **2** en la página 7).

---

## ***Inserción de papel***

### ***Nota:***

*No use papel arrugado o rizado. Cerciórese de usar papel que cumpla con las especificaciones.*

1. Asegúrese de que la impresora tenga un cartucho de cinta instalado.
2. Encienda la impresora. El indicador de alimentación (POWER) se enciende.
3. Presione el botón de liberación (RELEASE). El indicador de RELEASE se enciende para indicar que la impresora está en el modo de liberación. En este modo, se puede insertar y sacar papel.
4. Inserte el papel desde el frente o desde el costado, como se muestra en la ilustración **5** en la página 8, hasta que el retén de formularios lo detenga. Use las marcas en el costado de la impresora para calcular qué tanto hay que insertar el papel.
5. Verifique el indicador de falta de papel (PAPER OUT). Cuando el papel se inserta correctamente, se apaga el indicador de falta de papel. Si dicho indicador sigue encendido, saque el papel y vuélvalo a insertar.

---

## ***Localización de problemas***

---

### **No se encienden las luces en el panel de control.**

---

Verifique que los cables de la alimentación eléctrica estén enchufados correctamente en la impresora, en la unidad de alimentación eléctrica y en la toma de corriente.

Cerciórese de que la toma de corriente tenga electricidad. Si la toma de corriente está controlada por un interruptor o por un cronómetro, use otra toma.

---

### **El indicador de falta de papel (PAPER OUT) está encendido, y no hay impresión.**

---

El papel no ha sido insertado o no se insertó correctamente.

---

**El indicador de liberación (RELEASE) está parpadeando, y no hay impresión.**

---

Indica un error. Apague la impresora, cerciórese de que no haya papel atascado, y vuélvala a encender. Si el indicador de RELEASE sigue parpadeando, comuníquese con un técnico de servicio calificado.



# TM-U295/U295P

## Manuale dell'utente

### Dell'interruttore DIP

Per informazioni sulle impostazioni dell'interruttore DIP, vedere la seconda di copertina di questo manuale.

### Figure

Questo manuale è diviso in 9 sezioni, una per ogni lingua. La maggior parte delle figure si trova nella prima sezione e non è ripetuta. Tuttavia, ogni sezione contiene i riferimenti alle pagine per le figure.

#### Parti della stampante

1. ripiano dei documenti
2. interruttore POWER
3. carrozzeria superiore
4. copertura della stampante
5. pannello di controllo

Tutti i diritti riservati. Nessuna parte di questa pubblicazione può essere riprodotta, memorizzata in un sistema di reperimento, né trasmessa in qualsiasi forma o con qualsiasi mezzo (elettronico, meccanico, fotocopia, registrazione o altro) senza la preventiva autorizzazione scritta della Seiko Epson Corporation. Viene esclusa ogni responsabilità di brevetto rispetto all'uso delle informazioni contenute in questa pubblicazione. Malgrado questo manuale sia stato preparato con la massima cura, la Seiko Epson Corporation non si assume alcuna responsabilità per eventuali errori o omissioni in esso contenuti, né per eventuali danni risultanti dall'uso delle informazioni contenute in questo manuale.

Né la Seiko Epson Corporation, né alcuna delle sue affiliate, sarà ritenuta responsabile verso l'acquirente di questo prodotto, o terze parti, di eventuali danni, perdite, costi o spese sostenuti dall'acquirente o terze parti risultanti da: incidente, uso improprio o abuso di questo prodotto, o da modifiche non autorizzate, riparazioni, alterazioni a questo prodotto, oppure (esclusi gli Stati Uniti d'America) dalla totale inosservanza delle istruzioni per l'uso e la manutenzione impartite dalla Seiko Epson Corporation.

La Seiko Epson Corporation non sarà responsabile di alcun danno o problema insorto dall'uso di qualsiasi accessorio opzionale o di prodotti consumabili diversi da quelli designati dalla Seiko Epson Corporation come Prodotti originali Epson o Prodotti approvati dalla Epson.

EPSON è un marchio registrato di Seiko Epson Corporation in Giappone ed in altri paesi/regioni.

**AVVISO:** il contenuto di questo manuale è soggetto a cambiamenti senza preavviso.

Copyright © 2004 Seiko Epson Corporation, Nagano, Giappone.

### AVVERTENZA

Questo è un prodotto di Classe A. In ambiente domestico, questo prodotto può causare interferenze radio. In tal caso, l'utente deve adottare le misure necessarie per eliminare l'interferenza.

## Precauzioni di sicurezza

Questa sezione contiene informazioni importanti per l'uso efficiente e sicuro di questo prodotto. Leggere attentamente questa sezione e conservarla in un luogo prontamente accessibile.



### **AVVERTENZA:**

*Spegnere immediatamente l'unità se produce fumo, un odore strano o un rumore inconsueto. L'uso continuato potrebbe costituire causa d'incendio. Staccare immediatamente la spina dell'unità e rivolgersi al rivenditore o alla Seiko Epson per assistenza in merito.*

*Non riparare mai da soli questa unità. La riparazione impropria potrebbe creare un pericolo.*

*Non smontare né modificare mai questo prodotto. La manomissione del prodotto potrebbe causare lesioni personali, incendio.*

*Accertarsi di usare la fonte di alimentazione specificata. Il collegamento del prodotto ad una fonte di alimentazione impropria potrebbe causare incendio.*

*Evitare che nell'unità entrino corpi estranei. Questi potrebbero causare incendio.*

*Se acqua o altri liquidi cadono accidentalmente nell'unità, staccare immediatamente il cavo di alimentazione, quindi rivolgersi per consigli al rivenditore o al centro di assistenza della Seiko Epson. L'uso continuato dell'unità potrebbe causare incendio.*

*Per evitare il pericolo d'incendio, non usare spruzzatori aerosol contenenti gas infiammabili, all'interno del prodotto o vicino ad esso.*



### **ATTENZIONE:**

*Non collegare i cavi in alcun modo diverso da quello indicato in questo manuale. Collegamenti non corretti possono causare danni all'unità e ustioni personali.*

*Posare questa unità su una superficie piana, solida e stabile. Se cade, questa unità può rompersi o causare lesioni personali.*

*Non usare questa unità in ambienti soggetti ad un elevato tasso di umidità o polvere. L'umidità o la polvere eccessiva può causare danni all'unità o incendio.*

*Non mettere oggetti pesanti sopra questa unità. Non porsi sopra questa unità né appoggiarsi. L'unità potrebbe cadere e rompersi o causare lesioni personali.*

*Per motivi di sicurezza, staccare sempre la spina dell'unità prima di lasciarla incustodita per un lungo periodo di tempo.*

---

## **Etichetta di sicurezza**

L'etichetta di avvertimento presente sul prodotto indica la seguente precauzione.



### **AVVERTENZA:**

*Non collegare una linea telefonica al connettore del cassetto estraibile; la stampante e la linea telefonica possono danneggiarsi.*

---

## **Limitazioni d'impiego**

Quando questo prodotto viene impiegato in applicazioni che richiedono un alto grado di affidabilità e sicurezza, come dispositivi relativi a trasporti aerei, per treno, via mare, con motoveicoli, ecc., dispositivi per la prevenzione di disastri, dispositivi di sicurezza vari ecc. o dispositivi di precisione/funzionali, lo si dovrebbe usare solo dopo avere preso in considerazione l'inclusione nel progetto di elementi di ridondanza e resistenza ai guasti aventi lo scopo di mantenere la sicurezza e l'affidabilità dell'intero sistema. Poiché questo prodotto è stato progettato per essere usato in applicazioni che richiedono un altissimo grado di affidabilità e sicurezza, come in apparecchiature aerospaziali, reti di comunicazione, controllo di impianti nucleari o apparecchi per l'assistenza medica usate in cura diretta dei pazienti, ecc., si dovrà usare il proprio discernimento nel valutare a fondo il prodotto e garantire che sia adatto all'uso.

---

## **Download dei driver, dei programmi di utility e dei manuali**

I driver, i programmi di utility e i manuali possono essere scaricati dai siti ai seguenti indirizzi URL.

Per clienti in Nord America, andare al seguente sito Web:  
<http://www.epsonexpert.com/> e seguire le istruzioni fornite sullo schermo.

Per clienti in altri Paesi, andare al seguente sito Web:  
<http://download.epson-biz.com/?service=pos>

---

## **Disimballaggio**

Gli articoli seguenti sono inclusi con la stampante in configurazione standard. Se un articolo risulta danneggiato, rivolgersi al rivenditore della stampante.

- Stampante
- Dispositivo di protezione
- Cassetta del nastro
- Manuale dell'utente (il presente manuale)

---

## **Pannello di controllo**

### **Pulsante RELEASE**

Premere questo pulsante per inserire o rimuovere la carta.

### **Pulsante REVERSE**

Alimenta la carta all'indietro.

### **Pulsante FORWARD**

Alimenta la carta in avanti.

### **LED POWER**

Acceso quando la stampante è accesa.

### **LED RELEASE**

ACCESO quando la stampante è in modo libero carta (per inserire o rimuovere la carta). SPENTO quando la stampante è in modo chiuso (per tenere ferma la carta). LAMPEGGIA per indicare un errore.

### **LED PAPER OUT**

ACCESO quando la carta non è inserita o non è inserita correttamente.

---

## **Rimozione del dispositivo di protezione**

Durante la spedizione, la stampante è protetta da un dispositivo che deve essere rimosso prima di accendere la stampante.

Estrarre il dispositivo e rimuovere la striscia di nastro dalla parte superiore della stampante, come mostrato nella figura 1 a pagina 6.

### **Nota:**

*Seguire questa procedura per preparare la stampante per la spedizione: accendere la stampante, premere il pulsante RELEASE, premere il pulsante FORWARD, spegnere la stampante e reinstallare il dispositivo di protezione.*

## Installazione di un nastro

Usare la cassetta del nastro Epson ERC-27. L'uso di cassette del nastro diverse da quelle approvate dalla Epson può danneggiare la stampante e renderà nulla la garanzia.

1. Accendere la stampante usando l'interruttore dell'alimentazione sul lato sinistro.
2. Premere il pulsante RELEASE (il LED RELEASE si accende). La stampante passa in modo libero carta.
3. Spegnerne la stampante.



### **ATTENZIONE:**

*Prima di installare o rimuovere una cassetta del nastro, eseguire la procedura sopra indicata per accertarsi che la stampante sia in modo libero carta.*

4. Aprire la copertura della stampante premendo innanzitutto leggermente sulle sporgenze in alto a sinistra, quindi tirando in avanti la copertura, come mostrato nella figura **2** a pagina 7.
5. Se nella stampante è installato un nastro usato, rimuoverlo afferrando l'impugnatura e tirandolo direttamente in fuori, come mostrato dalla freccia nella figura **3** a pagina 7.
6. Prima di installare un nuovo nastro, controllare che non sia arricciato o intrecciato. Quindi, ruotare la manopola di alimentazione nella direzione della freccia sulla cassetta per rimuovere l'eventuale allentamento del nastro.
7. Inserire attentamente la cassetta del nastro nella stampante, come mostrato nella figura **4** a pagina 7. Notare con esattezza dove deve andare il nastro.
8. Spingere con decisione sul lato destro e poi su quello sinistro della cartuccia del nastro fino a quando i due lati scattano a posto.
9. Per rimettere a posto la copertura sulla stampante, allineare innanzitutto il lato sinistro della copertura, quindi inserire la linguetta in alto; premere quindi la parte in basso fino a quando scatta a posto (vedere la figura **2** pagina 7).

---

## **Inserimento della carta**

**Nota:**

*Non usare carta grinzosa o arricciata. Usare solamente carta che soddisfa le specifiche della stampante.*

1. Verificare che nella stampante sia inserita una cassetta del nastro.
2. Accendere la stampante. La spia luminosa POWER si accende.
3. Premere il pulsante RELEASE. La spia luminosa RELEASE si accende indicando che la stampante è in modo libero carta, ed è quindi possibile inserire o rimuovere la carta.
4. Inserire la carta dal davanti o di lato, come mostrato nella figura **5** a pagina 8, fino a quando il fermo la blocca. Per giudicare la profondità d'inserimento della carta, usare i contrassegni sul lato della stampante.
5. Controllare la spia luminosa PAPER OUT. Quando la carta è inserita correttamente, la spia luminosa PAPER OUT si spegne. Se la spia luminosa PAPER OUT rimane accesa, rimuovere la carta e inserirla di nuovo.

---

## **Risoluzione dei problemi**

---

### **Sul pannello di controllo nessuna spia luminosa è accesa**

---

Controllare che i cavi di alimentazione siano inseriti correttamente nella stampante, nell'alimentatore e nella presa di corrente.

Controllare che la presa di corrente sia funzionante. Se la presa di corrente è controllata da un interruttore o da un timer, usare un'altra presa di corrente.

---

### **La spia luminosa PAPER OUT è accesa e non viene stampato niente**

---

La carta non è inserita o non è inserita correttamente.

---

### **La spia luminosa RELEASE lampeggia ma non viene stampato niente**

---

Indica un errore. Spegnerne la stampante, controllare che la carta non sia inceppata, riaccendere la stampante. Se la spia luminosa RELEASE continua a lampeggiare, rivolgersi ad un tecnico dell'assistenza qualificato.

# TM-U295/U295P

## 使用说明书

### 插图

本说明书每种语言均分为 9 个部分组成。大部分插图显示在第一部分中，以后，不再有重复。每个部分标有插图参照页数。

#### 打印机零件

1. 文件台
2. 电源开关
3. 面盖
4. 打印机盖
5. 操作面板

版权所有。没有精工爱普生公司的正式书面许可，本手册不得复制，不得保存在可再生系统内，或以任何形式任何手段进行电子、机械转载、复印、录制等。使用本手册内的有关信息无须授权。在编辑本手册时我们考虑到了各项防备措施，对于手册中的错误和遗漏，精工爱普生公司概不负责。同时，也不负责由于使用本手册中的信息内容造成的损失。

本产品由于用户或第三方造成的事故、错误使用和乱用，以及擅自改装、修理或变更式样等，不严格遵守精工爱普生公司的操作和维修要求（美国除外），引起的危害、损失、费用和付出款项等，不论是精工爱普生公司还是其它有关的集团公司，对于该顾客或第三方概不负有任何责任。由于使用非正规爱普生产品或非精工爱普生公司指定许可的任何附件或任何消耗品，从而造成的损失和故障，精工爱普生公司概不负责。

EPSON 是 Seiko Epson Corporation 在日本、中华人民共和国及其它国家或地区的注册商标。

**备注：**本手册中的内容有可能发生更改，恕不事先通知。

Copyright © 2004 Seiko Epson Corporation. All rights reserved. 20120928

制造商：精工爱普生株式会社

地址：日本东京都新宿区西新宿 2-4-1

### 对于中国的用户

这是 A 级产品。在国内环境中，本产品可能会导致无线电干扰，在这种情况下可能需要用户采取适当的措施。

## 安全防范

本章节介绍有关确保本产品的安全和有效使用的重要信息。请仔细阅读此部分并将其保存在便于拿到的地方。



### 警告：

如果发生冒烟、异常气味、或者不正常的噪音时，请立即关闭机器。继续使用可能会引起火灾。应该立即关闭电源开关，拔掉插头并与销售商或精工爱普生服务中心取得联系询问处理办法。

请勿试图自行维修本机。不正确的维修是很危险的。

请勿自行拆卸或校正。不正确的动作会对本机造成伤害或火灾。

请使用符合规格的电源。连接不符合规格的电源可能会导致火灾。

防止任何异物落入机内，以免引起火灾。

如果有水或其他液体流入机内，应该立即拔掉电源线，并且与销售商或精工爱普生服务中心取得联系询问处理办法。继续使用可能会引起火灾。

请勿在本产品的内部及周围使用可燃性气体的喷雾器。否则可能造成火灾。



### 注意：

请勿使用未在本手册中提到的方法来连接线缆，不同连接方式可能会使本机损坏和燃烧。

确认将本机安放在一个坚固，稳定的水平面上。机器如果落下则可能会破裂或损坏。

请勿在潮湿或灰尘较多的地方使用本机。过度的潮湿和过量的灰尘可能使得机器损坏或发生火灾。

请勿在机器上放置任何重物。不要站在机器上或靠在机器上，这些作法可能会使装置掉落或毁坏，或可能导致破损和伤害。

为安全起见，长时间不使用本机时，应该拔掉电源插销。

## 安全标签

产品上的注意标签表示如下安全注意事项。



### 警告：

请勿将电话线接到钱柜接头上；否则装置以及电话线都可能遭受损毁。

## 使用限制

将本产品用于飞机、列车、船舶、汽车等的与运行直接相关的装置、防灾防盗装置、各种安全装置等要求机能、精度等具备高度可信性、安全性的用途时，为维持这些系统整体的可信性与安全，请采取故障自动防护设计及冗长设计等措施，在确保系统全体安全的基础上使



用本公司产品。本产品并非以使用于太空机器、干线通信机器、原子力控制机器、医疗机器等需具备高度可信性与安全性的用途。若使用于前述用途时，请客户充分进行确认和判断本产品的适用性。

---

## 下载驱动程序、应用程序以及操作说明

驱动程序、应用程序以及操作说明可以从下列 URL 下载。  
<http://download.epson-biz.com/?service=pos>

---

## 开 封

标准规格的打印机包括下列部件。如果某些部件损坏的话，请与销售商联系。

- 打印机
- 减震器
- 色带盒
- 使用说明书（本手册）

---

## 操作面板的使用方法

### **RELEASE 键**

释放纸张状态。（滚轮并无压住纸张的状态）

### **REVERSE 键**

从反方向传送纸张。

### **FORWARD 键**

从顺方向传送纸张。

### **POWER 指示灯**

打印机电源在开启期间亮起。

### **RELEASE 指示灯**

打印机处于释放纸张状态时亮起；夹纸情况（纸张被压住在打印机内）时熄灭；发生错误操作时闪动。

### **PAPER OUT 指示灯**

打印机内无纸或入纸方法不正确时亮起。

---

## 运输用减震器的拆卸

打印机在运输时有减震器加以保护。使用打印机之前，请将运输用减震器卸除。

除去打印机上的减震器和黏带。（3 页的插图 1）

**注释：**

运输或长时间停止使用打印机时，请按照下列步骤装入减震器：打开打印机电源、按下 RELEASE 键、按下 FORWARD 键、关闭打印机电源、装入减震器。

## 色带盒的安装和拆除

打印机应使用 Epson ERC-27 色带盒。未经爱普生认可的任何一种色带盒都有可能损毁机器。而由此造成的损毁，不在保修范围之内。

1. 以打印机左边的电源开关打开电源。
2. 按下 RELEASE 键（RELEASE 指示灯亮起），打印机在释放纸张状态。
3. 关闭打印机电源。



**注意：**

必须依照上述步骤，先将打印机置于释放纸张状态后才能装入色带盒。否则便无法进行色带盒的安装。

4. 如 4 页的插图 2 所示，将打印机盖依次顺 1、2 方向推开卸除。
5. 如 4 页的插图 3 所示，沿箭嘴方向将旧的色带盒拉出拆除。
6. 请确认色带盒中的色带没有扭曲或褶皱，然后依照箭嘴方向旋转色带松紧钮，将色带松弛的部分拉直。
7. 如 4 页的插图 4 所示，把色带盒安装在正确位置。
8. 按下色带盒，直至发出“卡喳”一声为止。
9. 将盖放回打印机，首先将左边封封齐，插入上方的扣片中，然后按下按键直到锁定。（参照 4 页的插图 2）

## 插入纸张的方法

**注释：**

请勿使用褶皱或弯曲的纸张。请确认所使用纸张符合规格。

1. 首先检查打印机内的色带盒是否已经安装。
2. 开启打印机电源，POWER 指示灯亮起。
3. 按下 RELEASE 键，RELEASE 指示灯亮起，表示打印机处于释放纸张状态，打印机在此状态中可以插入或更换纸张。
4. 如 5 页的插图 5 所示，纸张可以从打印机正面或侧面插入。将纸张插入打印机，直到纸张碰到格式定位器。打印机旁边的标示也可用以判断纸张插入深度。
5. 请检查 PAPER OUT 指示灯。若纸张插入正确，PAPER OUT 指示灯会熄灭。若 PAPER OUT 指示灯仍然亮起，请取出纸张重新插入。

---

## 故障排除

---

### 电源指示灯不亮

---

请确认电源线正确插入打印机、电源供应器、及电源插头。

请确认电源插头有供电。若插座是由开关或定时器所控制，则请使用别一个电源插座。

### PAPER OUT 指示灯亮，没有打印任何资料

---

若 PAPER OUT 指示灯亮，则没有插入纸张，或插入不正确。

### RELEASE 指示灯闪烁，没有打印任何资料

---

这表示有错误发生，请先关闭打印机电源，确定没有夹纸，然后再打开打印机电源。若本灯仍然闪烁，请联络合格之服务人员。

**中文 (繁體)**

# TM-U295/U295P

## 使用說明書

### 插圖

本說明書每種語言均分為 9 個部分組成。大部分插圖顯示在第一部分中，以後，不再有重覆。每個部分標有插圖參照頁數。

#### 印表機零件

1. 文件置放板
2. 電源開關
3. 上蓋
4. 印表機蓋
5. 操作面板

本公司保留本文件之所有權利。若未事先獲得 Seiko Epson Corporation 之書面同意，本文件之任何部份不得以複製、存放於可讀取系統或以任何形式傳送，如機械、影印、錄影等。使用本手冊所含資料不須負擔專利責任。本手冊經本公司審慎編寫，但若有錯誤或遺漏時，本公司亦不予負責。因使用本手冊所含資料而產生之損壞，本公司亦不予負責。本產品購買人或第三者因為意外事故、誤用或濫用本產品、未經授權而改裝、修理、或變更本產品、未嚴格遵守本公司操作與維護說明，因而發生損壞、損失或費用，則本公司與關係企業均不予負責。

因使用非 Epson 指定之原廠產品或本公司認可之任何選購品或耗材，而發生任何損壞或問題，本公司不予負責。

EPSON 為 Seiko Epson Corporation 在日本及其它國家或地區之註冊商標。

**請注意：**本手冊中之內容可能變更，恕不另行通知。

版權所有者 © 2004 精工愛普生公司，長野，日本

### 警告使用者

這是甲類的資訊產品，在居住的環境中使用時，可能會造成射頻干擾，在這種情況下，使用者會被要求採取某些適當的對策。

## 使用者注意事項

本設備測試結果符合電磁相容性之檢驗規格，該規格之目的在於設備使用時，提供合理保護以避免有害干擾。

本設備生產、使用、會放射無線頻率之能量，若未依據操作手冊來安裝與使用，可能對於無線電通信造成有害干擾，請務必依據操作手冊來安裝與使用。

## 安全防範

這一部分介紹有關確保本產品的安全和有效使用的重要資訊。請仔細閱讀此部分，並將其保存在便於拿到的地方。



### 警告：

當使用中如果發生冒煙、異常氣味、或者不尋常的噪音時，請立即關閉機器。繼續使用可能會引起火災。此情況發生時應立即拔除電源，並與經銷商或愛普生服務中心聯絡，以取得處理方式。

請勿試圖自行進行印表機的相關維修。不正確的維修是很危險的。

請勿自行拆卸或維修。不正確的動作會引起受傷或火災。

請使用符合規格的電源。連接不正確的電源可能會導致火災。

應該避免任何異物落入印表機內，以免導致火災。

如果有水或其他液體流入印表機內部，應該立即拔除電源，並且與經銷商或愛普生服務中心聯絡，以取得處理方式。繼續使用可能會導致火災。

請勿在本產品的內部及周圍使用可燃性氣體的噴霧器。否則可能造成火災。



### 注意：

請勿使用未在本手冊中提到的方法來連接連接線，不同連接方式可能會使印表機損壞或引起火災。

確認將印表機放置在一個固定且穩定的水平表面上。印表機如果落下則可能會破碎或損壞。

請勿在潮溼或灰塵多的地方使用印表機。過度的潮溼和過量的灰塵可能使得印表機損壞或發生火災。

請勿在印表機上放置任何重物。請勿將印表機站立或傾斜放置，這些作法可能會使印表機摔落或毀損，或可能導致損壞。

為了確保安全，在一段時間不使用印表機時，應該拔除電源。

## 安全標籤

產品上的注意標籤表示下列注意事項。



### 警告：

請勿將電話線連接到錢箱控制接頭上；否則印表機以及電話線都可能遭受損毀。

## 使用限制

將本產品用於飛機、列車、船舶、汽車等的與運行直接相關的裝置、防災防盜裝置、各種安全裝置等要求機能、精度等具備高度可信性、安全性的用途時，為維持這些系統整體的可信性與安全，請採取故障自動防護設計及冗長設計等措施，在確保系統全體安全的基礎上使用本公司產品。本產品並非以使用於太空機器、幹線通信機器、原子力控制機器、醫療機器等需具備高度可信性與安全性的用途。若使用於前述用途時，請客戶充分進行確認和判斷本產品的適用性。

## 下載驅動程序、應用程序以及操作說明

驅動程序、應用程序以及操作說明可以從下列 URL 下載。  
<http://download.epson-biz.com/?service=pos>

## 取出印表機

下列項目為印表機的標準隨機附件。如果某些附件損壞的話，請與經銷商聯絡。

- 印表機
- 防撞板
- 色帶匣
- 使用說明書（本手冊）

## 操作面板

### RELEASE 鍵

按下本鍵將使滾輪移動，可以插入或取出紙張。

### REVERSE 鍵

向後送紙。

### FORWARD 鍵

向前送紙。

### POWER 指示燈

印表機電源打開時本燈會亮。

### RELEASE 指示燈

印表機處於紙張放開模式時，本燈會亮。印表機處於紙張夾住模式時，本燈會熄滅。錯誤狀況時會閃爍。

### PAPER OUT 指示燈

在沒有插入紙張或沒有正確插入時，本燈會亮。

## 取出防撞板

印表機在運送時有防撞板加以保護，在打開電源之前必須先取出防撞板。將防撞板拉出，並從印表機頂端取下膠帶。(3 頁的插圖 1)

### 備註：

如果您要運送貨存放印表機，請依據下列步驟進行：打開印表機電源、按下 RELEASE 鍵、按下 FORWARD 鍵、關閉印表機電源、將防撞板放回原位。

## 安裝色帶

印表機應使用 Epson ERC-27 色帶匣。未經愛普生認可的任何一種色帶匣都有可能損毀機器。而由此造成的損毀，不在保修範圍之內。

1. 以印表機左邊的電源開關打開電源。
2. 按下 RELEASE 鍵，使指示燈亮，印表機將處於紙張放開模式。
3. 關閉印表機電源。



### 注意：

請務必進行上述步驟，因為在您安裝色帶匣之前，印表機必須處於紙張放開模式。

4. 如 4 頁的插圖 2 所示，輕輕按下上方左邊的邊緣，打開印表機的蓋子，再將蓋子向前拉。
5. 抓住舊色帶匣的把手，如 4 頁的插圖 3 所示，箭頭方向直接拉出。
6. 請確認色帶匣中的色帶沒有扭曲或摺皺，然後依照箭頭方向旋轉色帶鬆緊鈕，將色帶鬆弛的部分拉直。
7. 如 4 頁的插圖 4 所示，將色帶匣小心插入，請注意色帶匣的位置。
8. 先按下色帶匣右邊，再按下色帶匣左邊，直到兩邊均鎖定。
9. 將蓋子放回印表機，首先將左邊封齊，插入上方的扣片中，然後按下按鍵直到鎖定。(參照 4 頁的插圖 2)

## 插入紙張

### 備註：

請勿使用有摺皺或彎曲的紙張。請確認所使用紙張符合規格。

1. 請確定印表機已經安裝色帶匣。
2. 打開印表機電源，POWER 指示燈會亮。
3. 按下 RELEASE 鍵，RELEASE 指示燈會亮，表示印表機處於紙張放開模式，印表機在此模式中可以接受紙張，而紙張也可取出。
4. 從前方或旁邊插入紙張，如 5 頁的插圖 5 所示。將紙張插入印表機，直到紙張碰到格式定位器。印表機旁邊的標示也可用以判斷紙張插入的深度。
5. 請檢查 PAPER OUT 指示燈。若紙張插入正確，PAPER OUT 指示燈會熄滅。若 PAPER OUT 指示燈仍然亮著，請取出紙張再重新插入。

## 故障排除

---

### 電源指示燈不亮

---

請確認電源線正確插入印表機、電源供應器、及電源插頭。  
請確認電源插頭有供電。若插座是由開關或定時器所控制，則請使用別一個電源插座。

### PAPER OUT 指示燈亮，沒有列印任何資料

---

若 PAPER OUT 指示燈亮，則沒有插入紙張，或插入不正確。

### RELEASE 指示燈閃爍，沒有列印任何資料

---

這表示有錯誤發生，請先關閉印表機電源，確定沒有夾紙，然後再打開印表機電源。若本燈仍然閃爍，請聯絡合格之服務人員。





# WEEE (Waste Electrical and Electronic Equipment) Directive

This information only applies to customers in the European Union, according to Directive 2002/96/EC OF THE EUROPEAN PARLIAMENT AND OF THE COUNCIL OF 27 January 2003 on waste electrical and electronic equipment (WEEE) and legislation transposing and implementing it into the various national legal systems.

For other countries, please contact your local government to investigate the possibility of recycling your product.



## English

The crossed out wheeled bin label that can be found on your product indicates that this product should not be disposed of via the normal household waste stream. To prevent possible harm to the environment or human health please separate this product from other waste streams to ensure that it can be recycled in an environmentally sound manner. For more details on available collection facilities please contact your local government office or the retailer where you purchased this product.

## Deutsch

Der Aufkleber mit durchgekreuzter Mülltonne an diesem Produkt weist darauf hin, dass dieses Produkt nicht im normalen Hausmüll entsorgt werden darf. Zur Vermeidung einer möglichen Beeinträchtigung der Umwelt oder der menschlichen Gesundheit und um zu gewährleisten, dass es in einer umweltverträglichen Weise recycelt wird, darf dieses Produkt nicht in den Hausmüll gegeben werden. Informationen zu Entsorgungseinrichtungen erhalten Sie bei der zuständigen Behörde oder dem Geschäft, in dem Sie dieses Produkt erworben haben.

## Français

L'étiquette apposée sur ce produit et représentant une poubelle barrée indique que le produit ne peut être mis au rebut avec les déchets domestiques normaux. Afin d'éviter d'éventuels dommages au niveau de l'environnement ou sur la santé, veuillez séparer ce produit des autres déchets de manière à garantir qu'il soit recyclé de manière sûre au niveau environnemental. Pour plus de détails sur les sites de collecte existants, veuillez contacter l'administration locale ou le détaillant auprès duquel vous avez acheté ce produit.

## Italiano

L'etichetta con il contenitore barrato applicata sull'imballo indica che il prodotto non deve essere smaltito tramite la procedura normale di smaltimento dei rifiuti domestici. Per evitare eventuali danni all'ambiente e alla salute umana, separare questo prodotto da altri rifiuti domestici in modo che possa essere riciclato in base alle procedure di rispetto dell'ambiente. Per maggiori dettagli sulle strutture di raccolta disponibili, contattare l'ufficio competente del proprio comune o il rivenditore del prodotto.

## Español

La etiqueta de un contenedor tachado que hallará en su producto indica que este producto no se puede tirar con la basura doméstica normal. Para impedir posibles daños medioambientales o para la salud, separe este producto de otros canales de desecho para garantizar que se recicle de una forma segura para el medio ambiente. Para más información sobre las instalaciones de recolección disponibles, diríjase a las autoridades locales o al punto de venta donde adquirió este producto.

## Português

A etiqueta com o símbolo de um contentor de lixo traçado com uma cruz que aparece no produto indica que este produto não deve ser deixado fora juntamente com o lixo doméstico. Para evitar possíveis danos no ambiente ou na saúde pública, por favor separe este produto de outros lixos; desta forma, terá a certeza de que pode ser reciclado através de métodos não prejudiciais ao ambiente. Para obter mais informações sobre os locais de recolha de lixo disponíveis, contacte a sua junta de freguesia, câmara municipal ou local onde comprou este produto.

## Nederlands

Op uw product is een label van een rolcontainer met een kruis erdoor aangebracht. Dit label wil zeggen dat dit product niet bij het normale huishoudelijk afval mag worden ingezameld. Om eventuele schade aan het milieu of de gezondheid van de mens te voorkomen moet dit product gescheiden van al het ander afval worden ingezameld, zodat het op een verantwoorde wijze kan worden verwerkt. Voor meer informatie over uw lokale afvalinzameling wendt u zich tot uw gemeente of de leverancier bij wie u dit product hebt gekocht.

## Dansk

Etiketten med et kryds over skraldespanden på hjul, der sidder på produktet, angiver, at dette produkt ikke må bortskaffes sammen med almindeligt husholdningsaffald. For at beskytte miljø og helbred skal dette produkt bortskaffes separat, så det kan genbruges på en måde, der er god for miljøet. Kontakt de lokale myndigheder eller den forhandler, hos hvem du har købt produktet, vedrørende steder, hvor du kan aflevere produktet.

## Suomi

Laitte on merkitty jäteastia-symbolilla, jonka yli on vedetty rasti. Tämä tarkoittaa, ettei laitetta saa hävittää normaalin talousjätteen mukana. Älä hävittä laitetta normaalin jätteen seassa vaan varmista, että laite kierrätetään ympäristöystävällisellä tavalla, jottei ympäristölle tai ihmisille aiheudu vahinkoa. Lisätietoja kierrätyksestä ja keräyspisteistä saa ottamalla yhteyttä paikallisiin viranomaisiin tai jälleenmyyjään, jolta laite ostettiin.

## Svenska

Symbolen med en överkorsad soptunna innebär att denna produkt inte får kastas i vanligt hushållsavfall. För att skydda miljön ska denna produkt inte kastas tillsammans med vanligt hushållsavfall utan lämnas för återvinning på tillbörligt sätt. För mer information om uppsamlingsplatser kontakta din lokala myndighet eller den återförsäljare där du har köpt produkten.

## Norsk

Det er krysset over merket av beholderen på hjul som vises på produktet, som angir at dette produktet ikke skal kastes sammen med vanlig husholdningsavfall. Hold dette produktet atskilt fra annet avfall slik at det kan resirkuleres på en miljømessig forsvarlig måte og dermed forhindre eventuell skade på miljø eller helse. Hvis du vil ha mer informasjon om hvor produktet kan leveres inn, kontakter du kommunale myndigheter eller forhandleren der du kjøpte dette produktet.

---

## Česky

Štítek s přeškrtnutým odpadkovým košem na kolečkách, který lze nalézt na výrobku, označuje, že tento produkt se nemá likvidovat s běžným domovním odpadem. V zájmu ochrany životního prostředí a lidského zdraví zlikvidujte tento výrobek jako tříděný odpad, který se recykluje způsobem šetrným k životnímu prostředí. Podrobnější informace o sběrných dvorech pro tříděný odpad získáte na obecním úřadě nebo u prodejce, u kterého jste příslušný výrobek zakoupili.

---

## Magyar

A terméken található, áthúzott szemetest ábrázoló címke azt jelzi, hogy ezt a terméket nem szabad a rendszer háztartási szeméttel együtt kidobni. Az esetleges környezeti- vagy egészségkárosodást megelőzendő, kérjük, hogy ezt a terméket a többi szeméttől elkülönítve helyezze el, és biztosítsa, hogy azt környezetbarát módon újrahasznosítsák. A rendelkezésére álló begyűjtő létesítményekről kérjük tájékozódjon a megfelelő helyi állami szerveknél vagy a viszonteladónál, ahol a terméket vásárolta.

---

## Polski

Symbol przekreślonego kosza znajdujący się na produkcie oznacza, że nie może on być utylizowany razem z normalnymi odpadami z gospodarstwa domowego. Aby zapobiec potencjalnemu zagrożeniu dla środowiska lub zdrowia ludzkiego, produkt ten należy odseparować od reszty odpadów z gospodarstwa domowego i utylizować w ekologicznie właściwy sposób. Szczegółowe informacje na temat punktów zbiórki odpadów można uzyskać w lokalnych urzędach lub u sprzedawcy danego produktu.

---

## Slovensky

Štítko s přeškrtnutým odpadkovým košom na kolieskach, ktorý je možné nájsť na výrobku, označuje, že tento produkt sa nemá likvidovať s bežným komunálnym odpadom. V záujme ochrany životného prostredia a ľudského zdravia zlikvidujte tento výrobok ako triedený odpad, ktorý sa recykluje spôsobom šetrným k životnému prostrediu. Podrobnejšie informácie o zberných dvoroch pre triedený odpad získate na obecnom úrade alebo u predajcu, u ktorého ste príslušný výrobok zakúpili.

---

## Slovenski

Prečrtan koš za smeti na etiketi, katero lahko najdete na vašem izdelku, pomeni, da tega izdelka ne smete odvreči podobno kot vse ostale smeti. Da bi preprečili morebitne škodljive vplive na okolje ali zdravje, ločite izdelek od vseh ostalih in poskrbite, da bo recikliran na okolju prijazen način. Natančne informacije o tem, kje se nahajajo primerna odlagališča, pridobite v vašem krajevnem uradu ali pri prodajalcu.

---

## Eesti

Teie tootele kleebitud tähis, mis kujutab ratastega prügikonteinerit, millele on rist peale tõmmatud, keelab toote kõrvaldamise majapidamisjäätmetega sarnasel viisil. Keskkonnale või inimeste tervisele tekitatava võimaliku kahju vältimiseks eraldage toode teistest jäätmetest, et tagada selle korduvkasutamise keskkonnasäästlikul viisil. Kui soovite saada rohkem teavet võimalike kogumispunktide kohta, võtke ühendust kohaliku omavalitsuse ametnikuga või teile toote müünd jaemüüjaga.

---

## Lietuviškai

Užbraukta ratuota šiukščiadėžės etiketė, kurią rasite ant jūsų produkto, reiškia, kad šis produktas neturėtų būti išmestas kartu su įprastinėmis buitinėmis šiukšlėmis. Siekiant išvengti galimos žalos aplinkai bei žmonių sveikatai, prašome atskirti šį produktą nuo kitų atliekų, ir įsitikinti, kad jis būtų perdirbtas aplinkai nepavojingu būdu. Jei reikia išsamesnės informacijos apie atliekų surinkimo ypatumus, prašome kreiptis į savo vietos valdžios įstaigas arba į mažmeninį pardavėją, iš kurio jūs įsigijote šį produktą.

---

## Latviski

Markējums ar pārsvīrotu atkritumu tvertni uz rītiņšiem, kas redzams uz izstrādājuma, norāda, ka šo izstrādājumu nedrīkst likvidēt kopā ar parastajiem sadzīves atkritumiem. Lai novērstu iespējamo kaitējumu videi vai cilvēku veselībai, lūdzam, atdaliet šo izstrādājumu no citiem atkritumiem, tādējādi nodrošinot tā otrreizējo pārstrādi videi drošā veidā. Papildinformācijai par pieejamajām atkritumu savākšanas iespējām, lūdzam, sazinieties ar vietējo pašvaldību vai mazumtirgotāju, no kura jūs iegādājāties šo izstrādājumu.

---

## Ελληνικά

Η διαγραμμένη ετικέτα του τροχοφόρου κάδου απορριμμάτων που θα βρείτε πάνω στο προϊόν σας υποδεικνύει ότι αυτό το προϊόν δεν πρέπει να απορριπτείται μέσω του κανονικού δικτύου αποκομιδής οικιακών απορριμμάτων. Για να αποτρέψετε πιθανές επιπτώσεις στο περιβάλλον ή την ατομική υγεία, παρακαλούμε να διαχωρίσετε αυτό το προϊόν από άλλα δίκτυα αποκομιδής ώστε να διασφαλίσετε ότι είναι δυνατή η ανακύκλωσή του με έναν περιβαλλοντικά θεμιτό τρόπο. Για περισσότερες πληροφορίες σχετικά με τις διαθέσιμες δυνατότητες συλλογής απορριμμάτων, παρακαλούμε να επικοινωνήσετε με την τοπική κυβερνητική αρχή ή το κατάστημα λιανικής από όπου αγοράσατε αυτό το προϊόν.

---

## Türkçe

Ürününüzün üzerinde bulunan çarpi işaretli tekerlekli kutu etiketi, bu ürünün normal ev atık sistemi vasıtasıyla elden sağlığınıza zarar vermemeyi önlemek için, lütfen bu ürünü çöreye zarar vermemeyecek şekilde geri dönüşüme tabi tutulmak üzere diğer atıklarından ayırın. Mücut tablama tesisleri ile ilgili ayrıntılı bilgi edinmek için, yerel devlet makamlarınıza veya bu ürünü satın aldığınız satıcıya irtibata geçin.

---

## Română

Eticheta arătând un coș de gunoi tăiat cu două linii încrucișate, care poate fi găsită pe produs, indică faptul că acesta nu trebuie aruncat la gunoi laolaltă cu gunoiul menajer. Pentru a evita posibila degradare a mediului înconjurător sau a sănătății umane, colectați separat acest produs de gunoi menajer pentru a vă asigura că poate fi reciclat într-un mod ecologic. Pentru mai multe detalii privind punctele disponibile de colectare, contactați autoritățile locale sau comerciantul de la care ați achiziționat acest produs.

---

## Български

Етикетът, представяващ зачертано кошче за боклук в кръг, който можете да видите върху вашия продукт, означава, че този продукт не трябва да се изхвърля заедно с обикновените домакински отпадъци. За предпазване от евентуални щети върху околната среда или човешкото здраве, моля, отделете този продукт от останалите отпадъци, за да се гарантира, че той ще бъде рециклиран по екологично съобразен начин. За повече информация относно наличните места за събиране на отпадъци, моля, свържете се с местните власти или търговеца, от когото сте закупили този продукт.

Printed in China  
中国印刷